

## PUT RENOWN IN YOUR BRAND

### USE SKOOCOM PUMP AND VALVE

"Take quality as the life, take customers as the center, jointly create value and achievement together "sharing results with others" is our company's business concept, in order to achieve these goals wish, we have been working hard



时光电子  
SKOOCOM

# Product catalog

(Micro air valve)



A variety  
of pump valves  
for you to choose from

# Catalogue

PRODUCT MODEL	PRESSURE	THE NUMBER OF PAGES	PRODUCT MODEL	PRESSURE	THE NUMBER OF PAGES
SC0620AVG	-40kpa	01	SC0520LVG	47kpa	29
SC0520NVG	-47kpa	02	SC0520UVG	47kpa	30
SC0520FVG	-60kpa	03	SC0520PVG	47kpa	31
SC0520RVG	-60kpa	04	SC0520QVG	47kpa	32
SC0620RVG	-60kpa	05	SC0520SVG	47kpa	33
SC0730CVG	27kpa	06	SC0520TVG	47kpa	34
SC0625BVG	40kpa	07	SC0625AVG	47kpa	35
SC0726CVG-2	40kpa	08	SC0626BVG	47kpa	36
SC0726CVG-3	40kpa	09	SC0626DVG	47kpa	37
SC0730DVG	40kpa	10	SC0726BVG	47kpa	38
SC0837BVG	40kpa	11	SC0726CVG	47kpa	39
SC0840AVG	40kpa	12	SC0726DVG	47kpa	40
SC0840CVG	40kpa	13	SC0730AVG	47kpa	41
SC0411VG	47kpa	14	SC0730BVG	47kpa	42
SC0415AVG	47kpa	15	SC0730EVG-5	47kpa	43
SC0415BVG	47kpa	16	SC0837AVG	47kpa	44
SC0415CVG	47kpa	17	SC0837DVG	47kpa	45
SC0518AVG	47kpa	18	SC0840BVG-2	47kpa	46
SC0519AVG	47kpa	19	SC0840BVG-4	47kpa	47
SC0520AVG	47kpa	20	SC0840BVG-6	47kpa	48
SC0520BVG	47kpa	21	SC0840BVG-7	47kpa	49
SC0520CVG	47kpa	22	SC0840CVG-10	47kpa	50
SC0520DVG	47kpa	23	SC0840CVG-2	47kpa	51
SC0520EVG	47kpa	24	SC0840CVG-4	47kpa	52
SC0520MVG	47kpa	25	SC0840CVG-6	47kpa	53
SC0520GVG	47kpa	26	SC0840DVG-6	47kpa	54
SC0520HVG	47kpa	27	SC0626CVG	80kpa	55
SC0520IVG	47kpa	28			

型号 Model: SC0620AVG

气  
阀

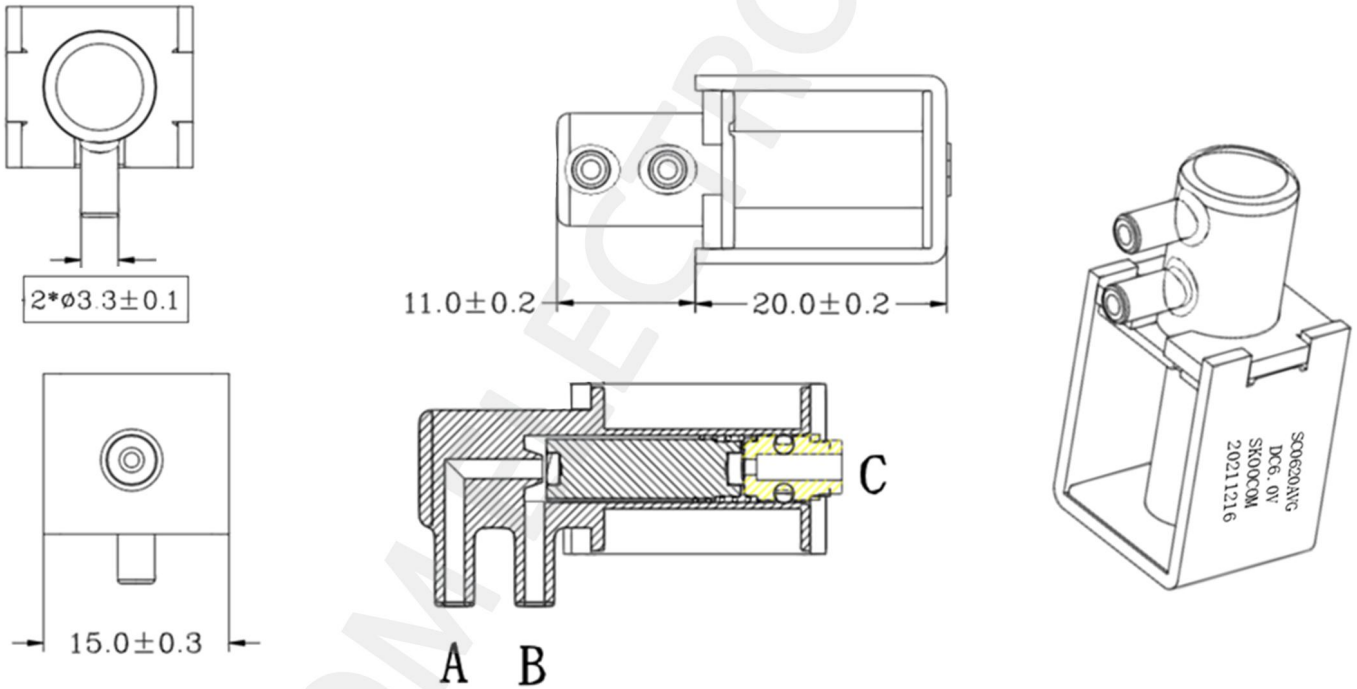
Air valve



Application

Breast Pump etc.

产品尺寸 Dimension:



产品参数 Parameter:

		Specification 产品规格			
结构	Structure	2-position 3-way			
模式	Mode	Normally opened			
额定电压	Rated voltage	DC3.7V	DC6.0V	DC12.0V	DC24.0V
额定电流	Rated current	336mA	182mA	114mA	50mA
阻抗	Resistance	11Ω±10%	33Ω±10%	105Ω±10%	480Ω±10%
最大压力	Pressure	-300mmHg			
泄气时间	Exhaust Time	30 seconds from 300mmHg reduce to -150 mmHg in a 100CC tank			
气密性	Leakage	3mmHg/min from 300mmHg at 100CC tank.			
绝缘等级	Insulation Level	A			
使用流体	Medium	Air			
寿命试验	Lifetime test	200.000 Times (12s on, 5s off)			
使用环境	Working environment	0~50 °C, 75% RH			

# 型号 Model: SC0520NVG

旧版型号: SC0526GA

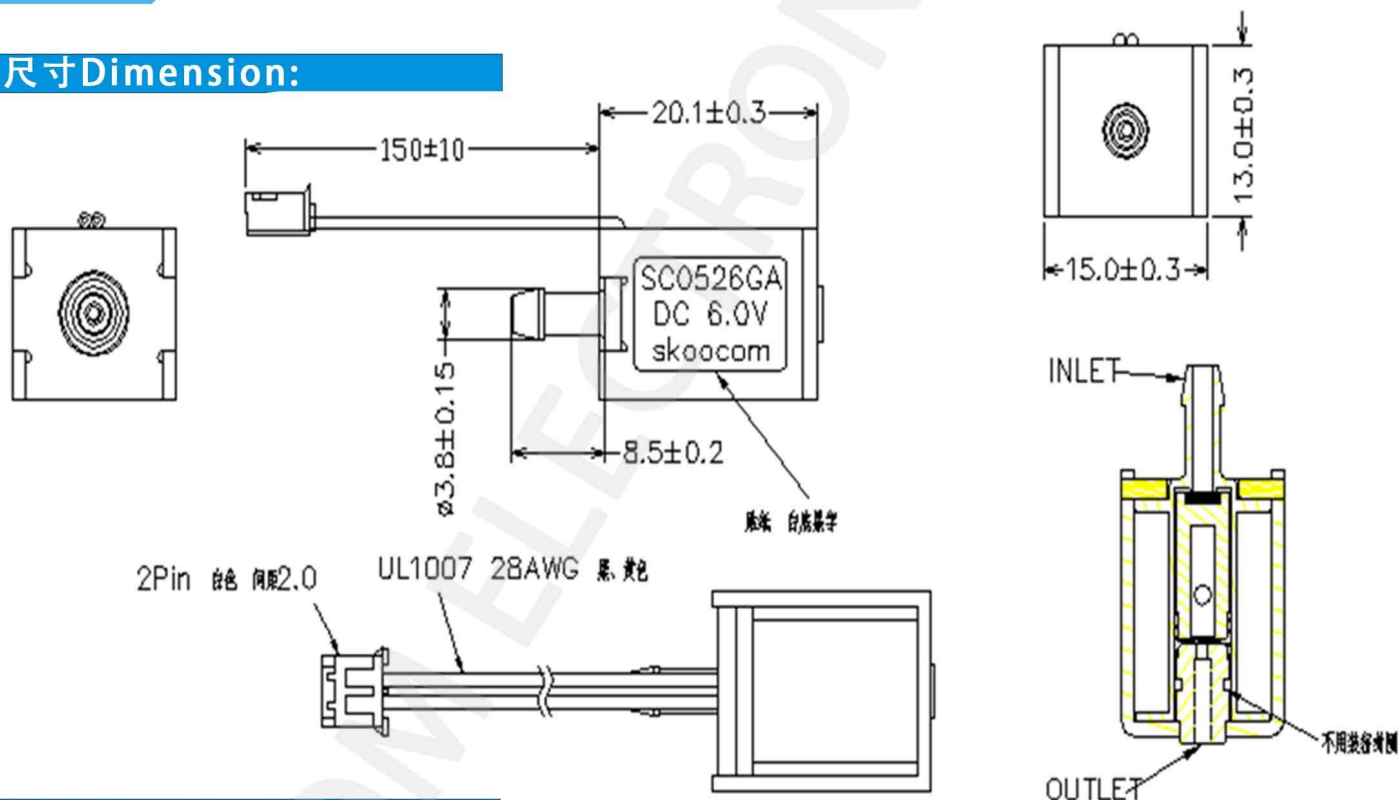


气阀  
Air valve

## Application

Breast pump etc.

## 产品尺寸 Dimension:



## 产品参数 Parameter:

Specification 产品规格		
结构	Structure	2-way
模式	Mode	Normally closed
额定电压	Rated voltage	DC6.0V
额定电流	Rated current	300mA
阻抗	Resistance	20Ω±10%
最大压力	Pressure	-350mmHg
泄气时间	Exhaust Time	3.0 seconds from 300mmHg reduce to 15mmHg in 100CC tank.
气密性	Leakage	3mmHg/min from 300mmHg at 100CC tank.
绝缘等级	Insulation Level	A
使用流体	Medium	Air
寿命试验	Lifetime test	200,000 Times
使用环境	Working environment	0~50 °C, 75% RH

型号 Model: SC0520FVG

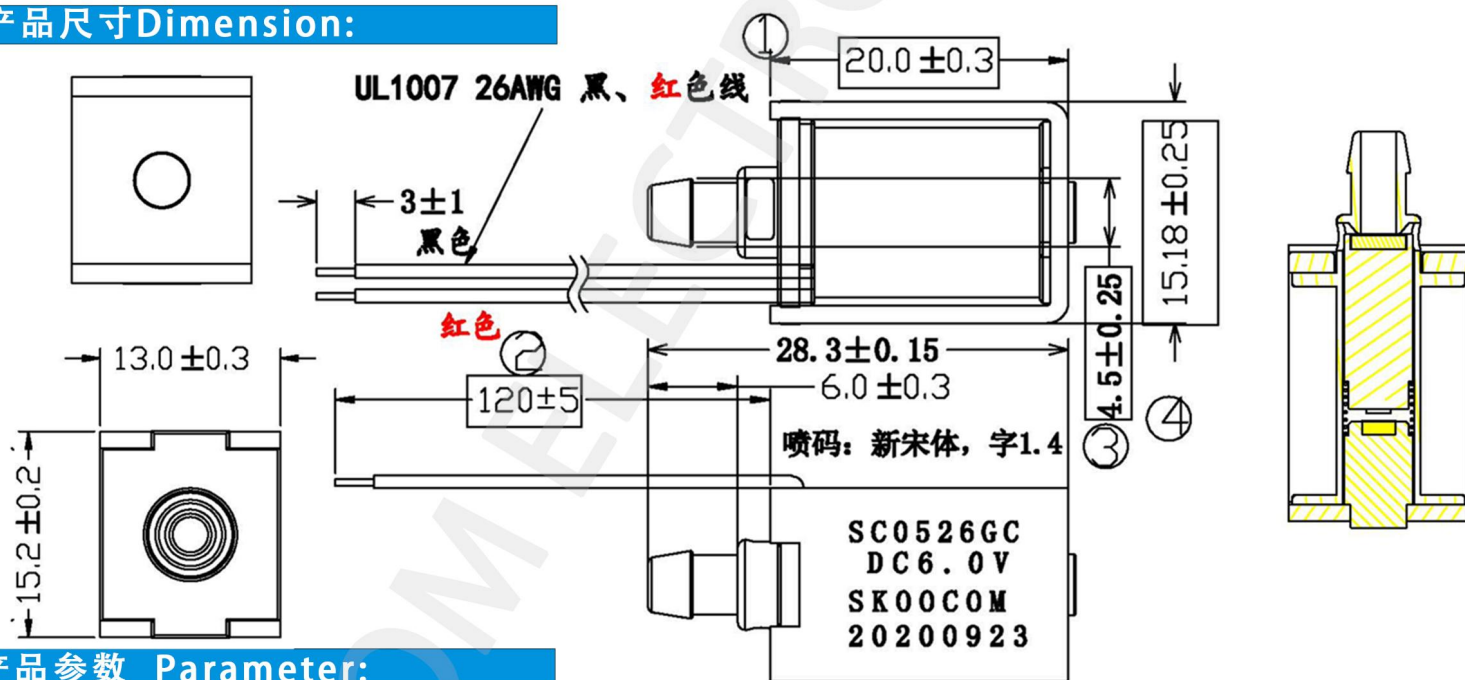
旧版型号: SC0526GC



Application

Breast Reliever/Cosmetic Instrument/  
Massager Machine etc.

产品尺寸 Dimension:



产品参数 Parameter:

Specification 产品规格		2-way				
结构	Structure	Normally closed				
模式	Mode	Normally closed				
额定电压	Rated voltage	DC3.0V	DC4.5V	DC5.0V	DC6.0V	DC12.0V
额定电流	Rated current	500mA	500mA	455mA	387mA	185mA
阻抗	Resistance	6Ω ± 10%	9Ω ± 10%	11Ω ± 10%	15.5Ω ± 10%	65Ω ± 10%
压力	Pressure	-450mmHg				
泄气时间	Exhaust Time	3.0 seconds from -350mmHg reduce to -15mmHg in 100CC tank.				
气密性	Leakage	3mmHg/min from -200mmHg at 100CC tank.				
绝缘等级	Insulation Level	A				
使用流体	Medium	Air				
寿命试验	Lifetime test	1,000 times/500h (working 1.7s, off 0.8s, working 30min, stopping 10min)				
使用环境	Working environment	0~50 °C, 75% RH				

# 型号 Model: SC0520RVG

气阀

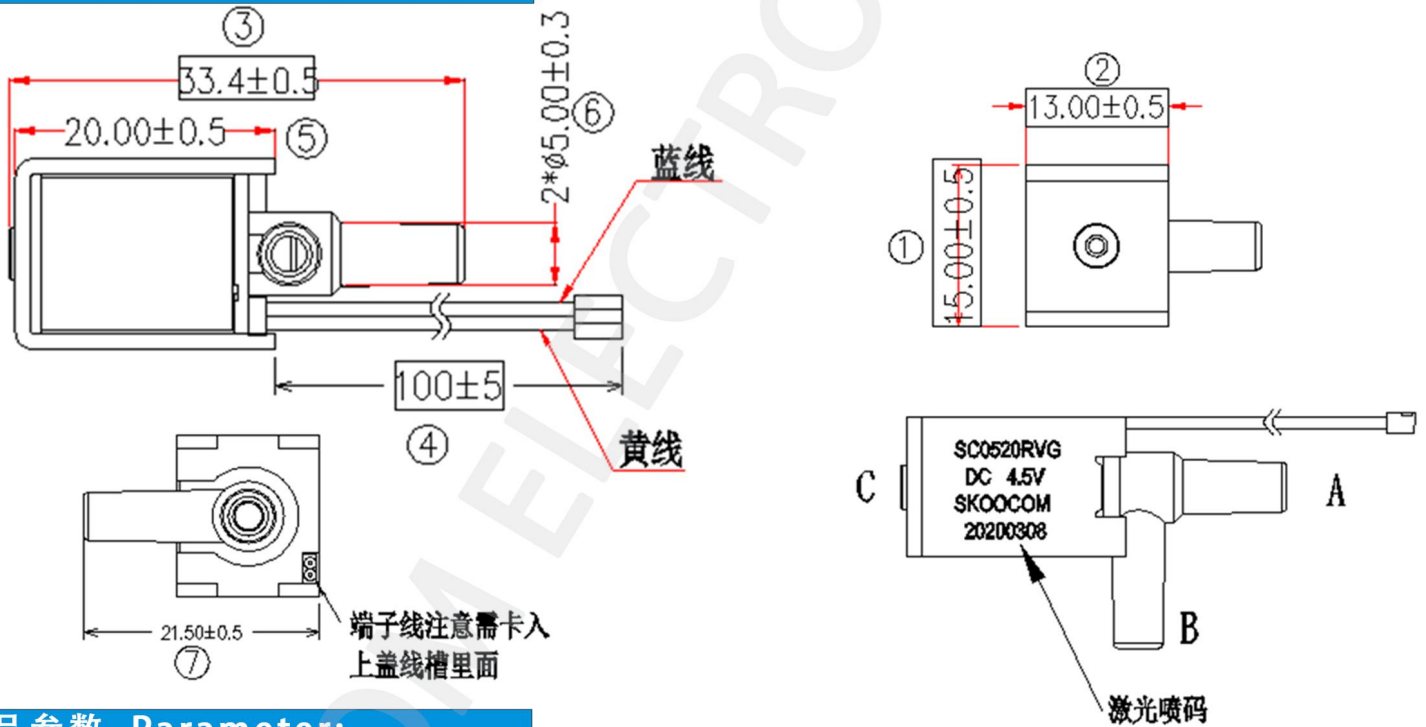
Air valve



## Application

Breast Pump etc.

## 产品尺寸 Dimension:



## 产品参数 Parameter:

		Specification 产品规格	
结构	Structure	2-position 3-way	
模式	Mode	Normally closed	
额定电压	Rated voltage	DC4.5V	DC5.0V
额定电流	Rated current	410mA	371mA
阻抗	Resistance	11Ω ±10%	13.5Ω ±10%
最大压力	Pressure	-450mmHg	
泄气时间	Exhaust Time	3.0 seconds from 300mmHg reduce to 15mmHg in 100CC tank.	
气密性	Leakage	3mmHg/min from 300mmHg at 100CC tank.	
绝缘等级	Insulation Level	A	
使用流体	Medium	Air	
寿命试验	Lifetime test	200,000 Times	
使用环境	Working environment	0~50℃, 75% RH	

# 型号 Model: SC0620RVG

气  
阀

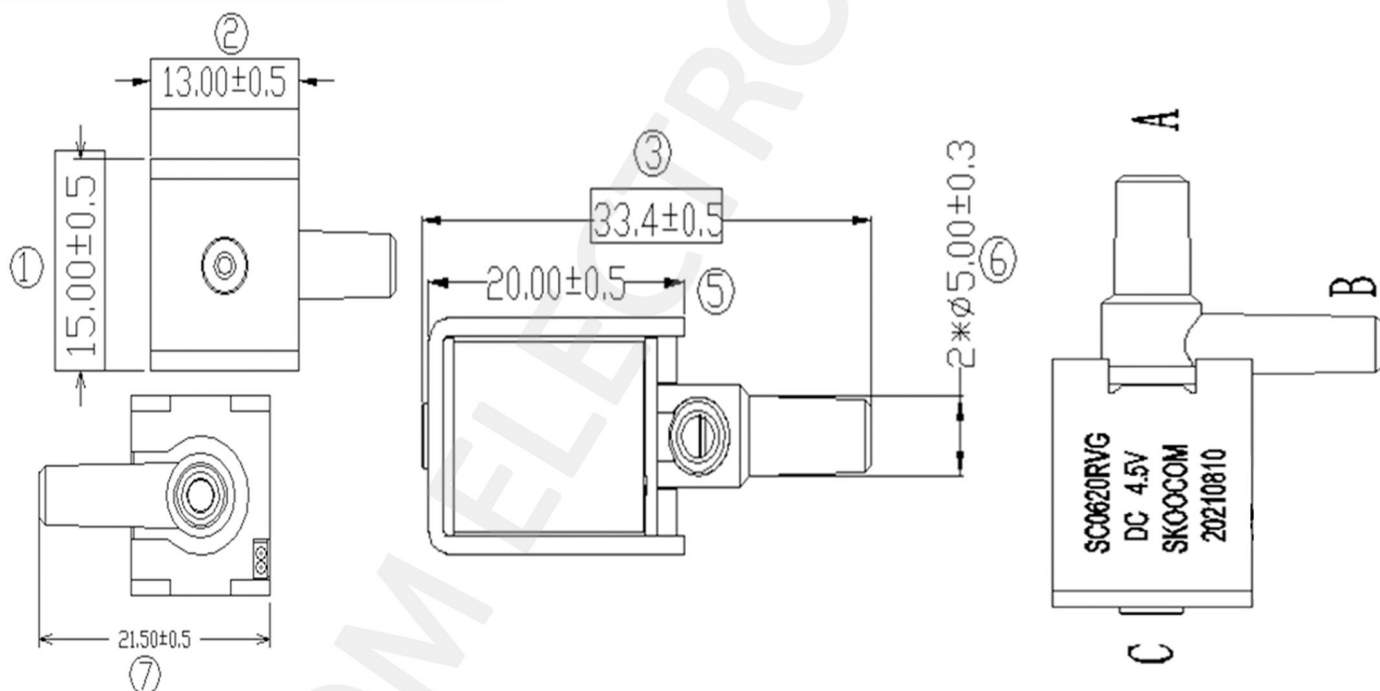
Air valve



## Application

Breast Pump etc.

## 产品尺寸 Dimension:



## 产品参数 Parameter:

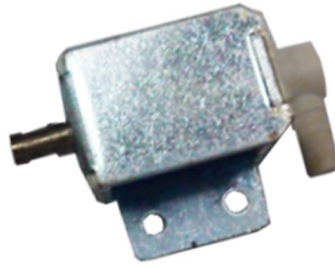
Specification 产品规格		
结构	Structure	2-position 3-way
模式	Mode	Normally closed
额定电压	Rated voltage	DC4.5V
额定电流	Rated current	300mA
阻抗	Resistance	15Ω ±10%
最大压力	Pressure	-450mmHg
泄气时间	Exhaust Time	3.0 seconds from 300mmHg reduce to 15mmHg 100CC tank.
气密性	Leakage	3mmHg/min from 300mmHg at 100CC tank.
绝缘等级	Insulation Level	A
使用流体	Medium	Air
寿命试验	Lifetime test	200.000 Times
使用环境	Working environment	0~50 ℃, 75% RH

# 型号 Model: SC0730CVG

旧版型号: SC0730GK

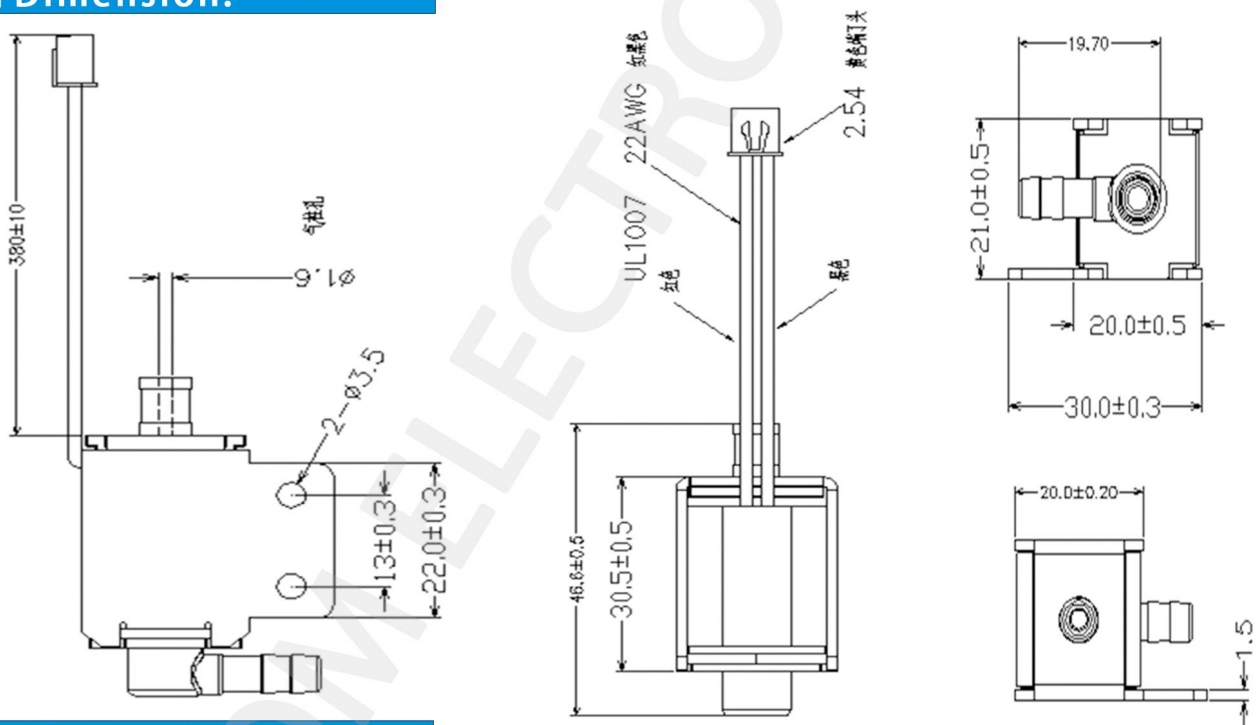
气阀

Air valve



Application Massager Machine etc.

## 产品尺寸 Dimension:



## 产品参数 Parameter:

Specification 产品规格	
结构 Structure	2-way
模式 Mode	Normally opened
额定电压 Rated voltage	DC12.0V
额定电流 Rated current	308mA
阻抗 Resistance	$39 \Omega \pm 10\%$
最大压力 Pressure	200mmHg
泄气时间 Exhaust Time	3.0 seconds from 300mmHg reduce to 15mmHg in 100CC tank.
气密性 Leakage	3mmHg/min from 300mmHg at 100CC tank.
绝缘等级 Insulation Level	A
使用流体 Medium	Air
寿命试验 Lifetime test	200,000 Times (12s on, 5s off)
使用环境 Working environment	0~50 °C, 75% RH

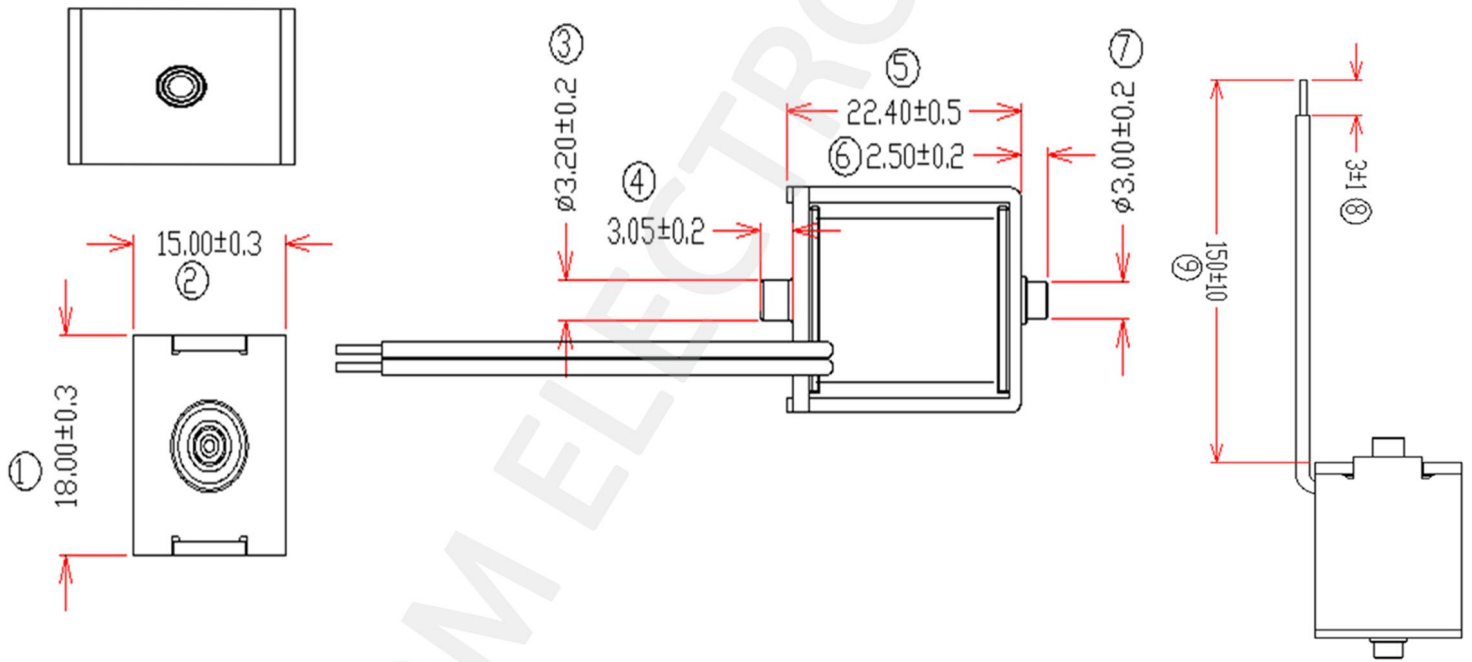
# 型号 Model: SC0625BVG

旧版型号: SC0625GF



**Application** Cosmetic Instrument/Massage Machine/  
Oxygen Producer/Madical Field etc.

## 产品尺寸 Dimension:



## 产品参数 Parameter:

Specification 产品规格		
结构	Structure	2-way
模式	Mode	Normally closed
额定电压	Rated voltage	DC6.0V
额定电流	Rated current	546mA
阻抗	Resistance	11Ω ± 10%
最大压力	Pressure	300mmHg
泄气时间	Exhaust Time	3.0 seconds from 300mmHg reduce to 15mmHg in 100CC tank.
气密性	Leakage	3mmHg/min from 300mmHg at 100CC tank.
绝缘等级	Insulation Level	A
使用流体	Medium	Air
寿命试验	Lifetime test	200,000 Times
使用环境	Working environment	0~50℃, 75% RH

型号 Model: SC0726CVG-2

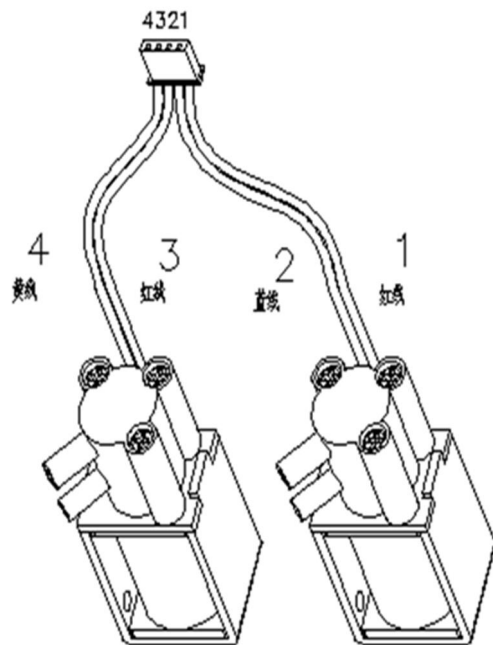
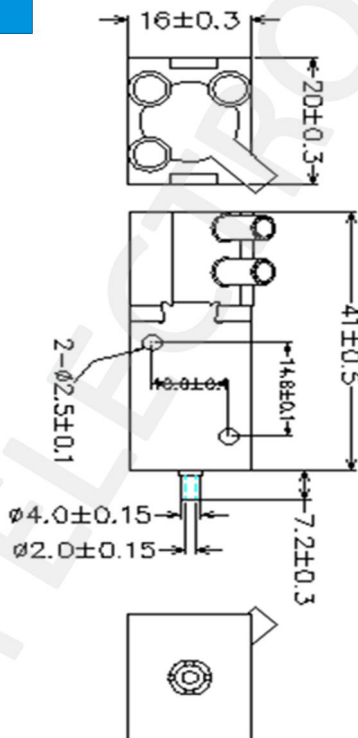
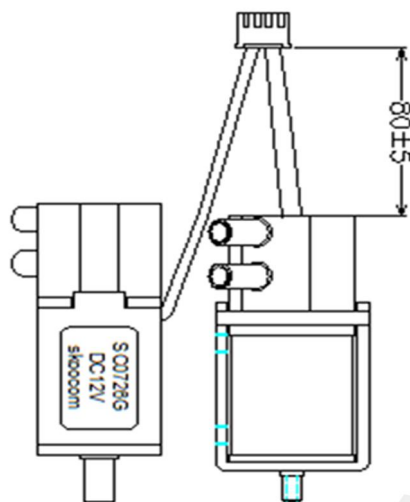
旧版型号: SC0726G-2



Application

Cosmetic Instrument/  
Massage Machine/Oxygen Producer etc.

产品尺寸 Dimension:



产品参数 Parameter:

Specification 产品规格		
结构	Structure	2-position 3-way
模式	Mode	Normally closed
额定电压	Rated voltage	DC12.0V
额定电流	Rated current	191mA
阻抗	Resistance	63Ω ±10%
最大压力	Pressure	300mmHg
泄气时间	Exhaust Time	3.0 seconds from 300mmHg reduce to 15mmHg in 100CC tank.
气密性	Leakage	3mmHg/min from 300mmHg at 100CC tank.
绝缘等级	Insulation Level	A
使用流体	Medium	Air
寿命试验	Lifetime test	200,000 Times (12s on , 5s off )
使用环境	Working environment	0~50 °C, 75% RH

型号 Model: SC0726CVG-3

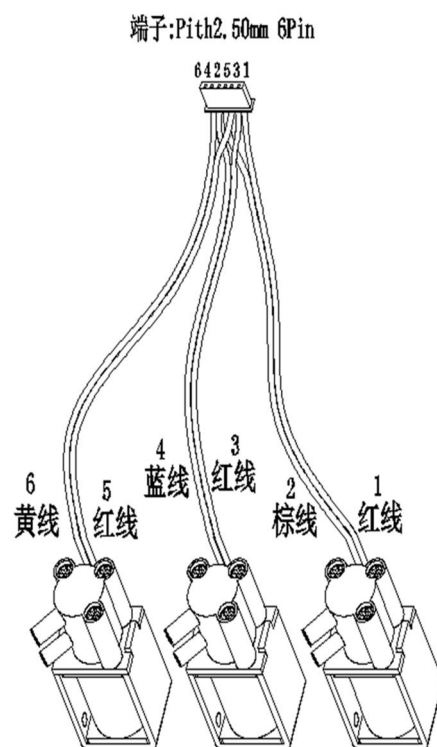
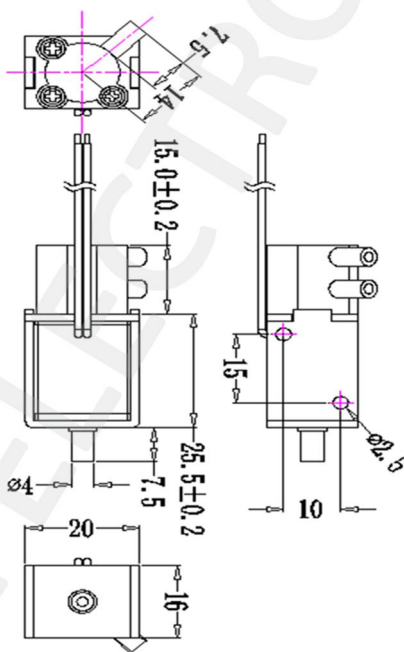
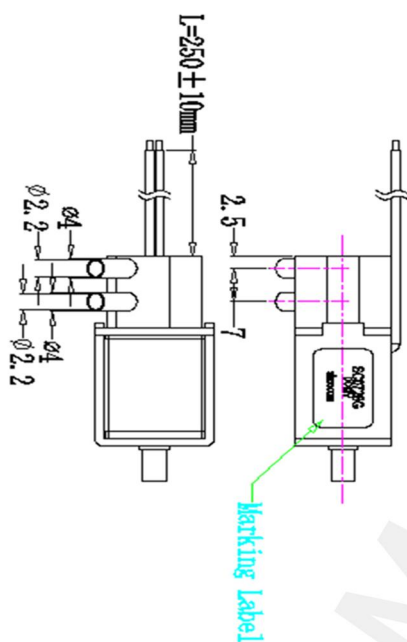
旧版型号: SC0726G-3



Application

Cosmetic Instrument/  
Massage Machine/Oxygen Producer etc.

产品尺寸 Dimension:



产品参数 Parameter:

Specification 产品规格	
结构 Structure	2-position 3-way
模式 Mode	Normally closed
额定电压 Rated voltage	DC12.0V
额定电流 Rated current	191mA
阻抗 Resistance	63Ω ± 10%
最大压力 Pressure	300mmHg
泄气时间 Exhaust Time	3.0 seconds from 300mmHg reduce to 15mmHg in 100CC tank.
气密性 Leakage	3mmHg/min from 300mmHg at 100CC tank.
绝缘等级 Insulation Level	A
使用流体 Medium	Air
寿命试验 Lifetime test	200,000 Times (12s on , 5s off )
使用环境 Working environment	0~50 °C, 75% RH

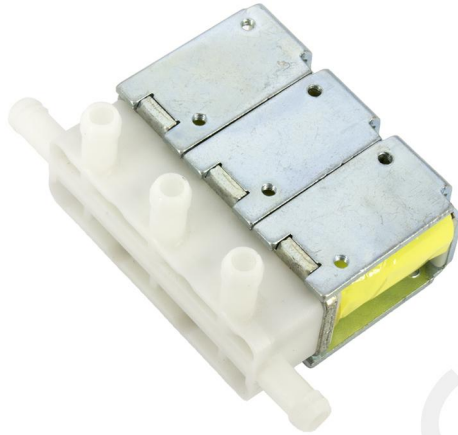


# 型号 Model: SC0837BVG

旧版型号: SC0837GH

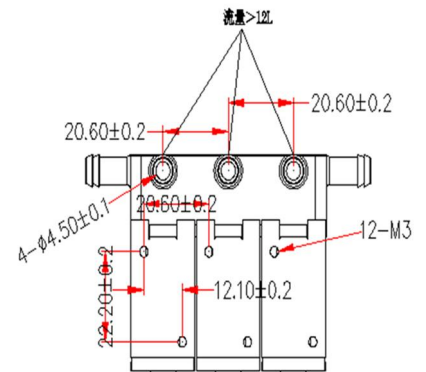
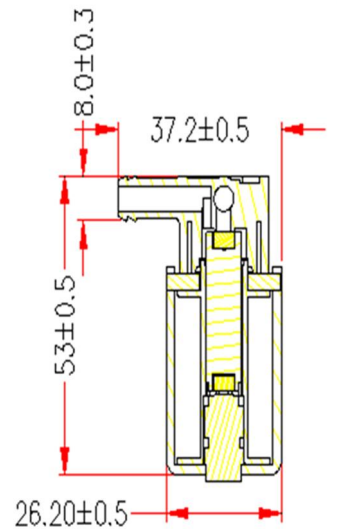
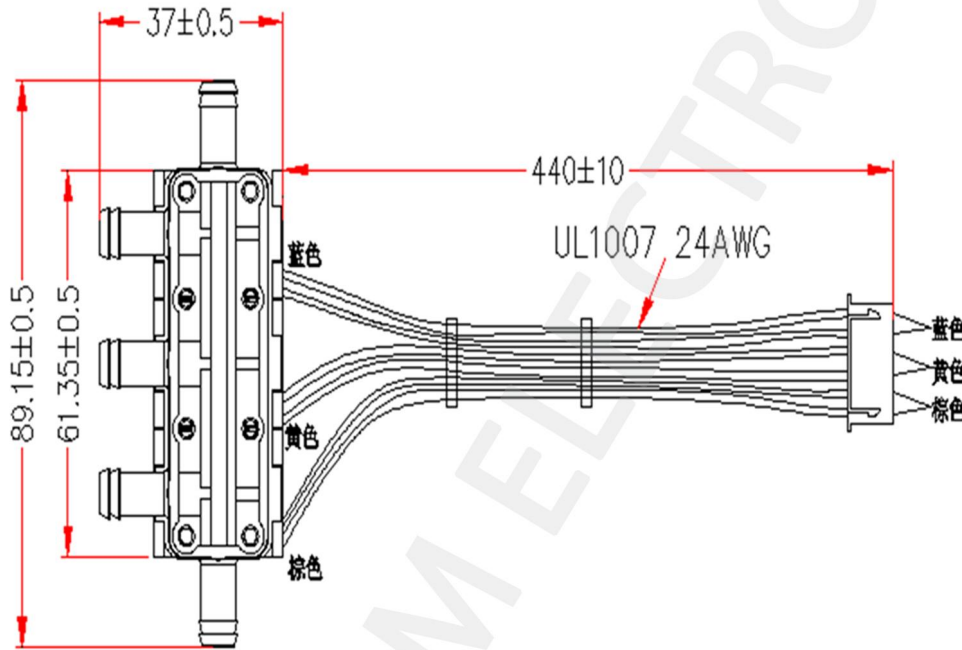
气阀

Air valve



**Application** Cosmetic Instrument/Cosmetic Instrument/  
Physiotherapy Instrument etc.

## 产品尺寸 Dimension:



## 产品参数 Parameter:

Specification 产品规格		
结构	Structure	2-position 3-way
模式	Mode	Normally closed
额定电压	Rated voltage	DC12.0V
额定电流	Rated current	300mA
阻抗	Resistance	60Ω ±10%
最大压力	Pressure	300mmHg
泄气时间	Exhaust Time	3.0 seconds from 300mmHg reduce to 15mmHg in 100CC tank.
气密性	Leakage	3mmHg/min from 300mmHg at 100CC tank.
绝缘等级	Insulation Level	A
使用流体	Medium	Air
寿命试验	Lifetime test	200.000 Times (12s on, 5s off)
使用环境	Working environment	0~50℃, 75% RH

# 型号 Model: SC0840AVG

旧版型号: SC0840GB

气阀

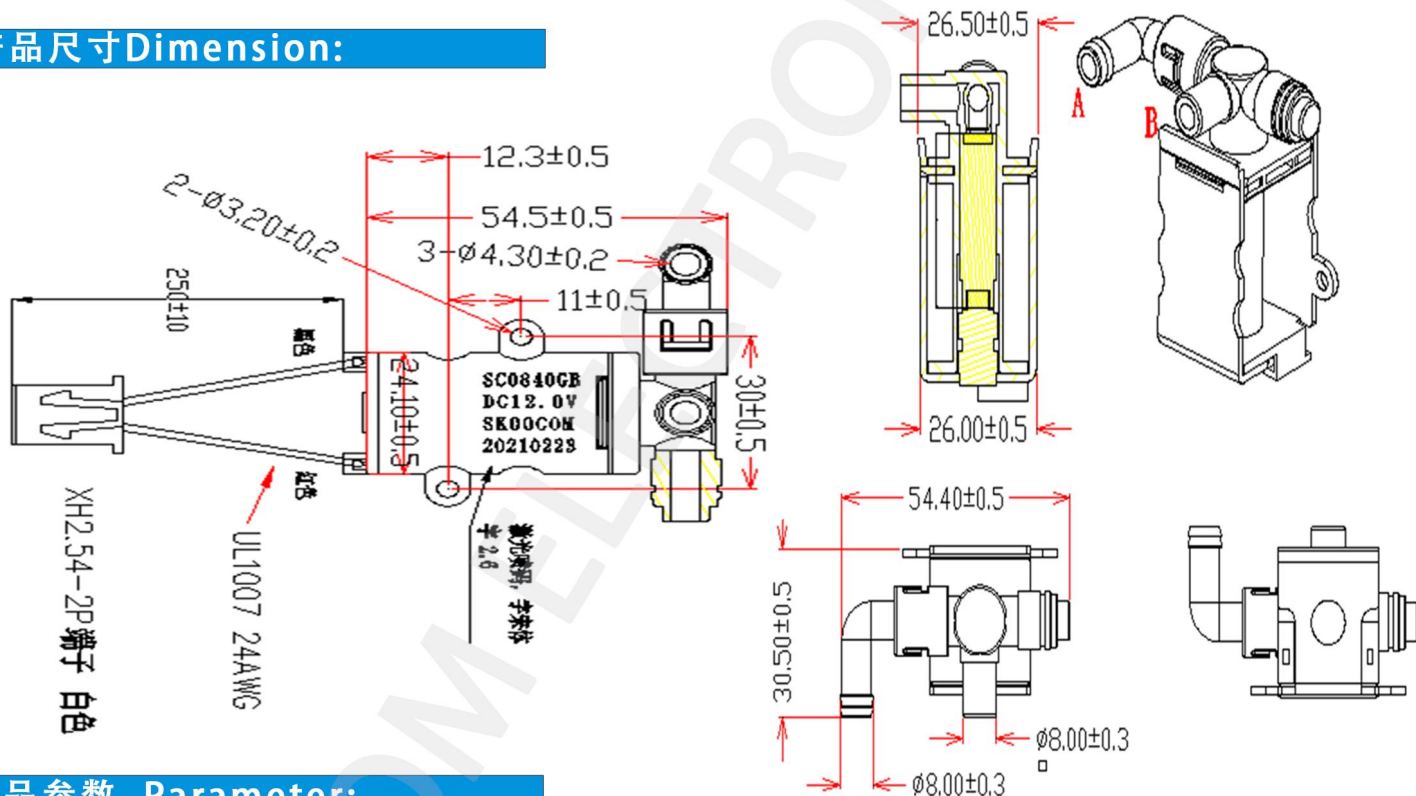
Air valve



## Application

Cosmetic Instrument/Massage Machine/  
Physiotherapy Instrument etc.

## 产品尺寸 Dimension:



## 产品参数 Parameter:

Specification 产品规格			
结构	Structure	2-position 3-way	
模式	Mode	Normally closed	
额定电压	Rated voltage	DC12.0V	DC24.0V
额定电流	Rated current	250mA	117mA
阻抗	Resistance	48 Ω ± 10%	205 Ω ± 10%
最大压力	Pressure	300mmHg	
泄气时间	Exhaust Time	3.0 seconds from 300mmHg reduce to 15mmHg in 100CC tank.	
气密性	Leakage	3mmHg/min from 300mmHg at 100CC tank.	
绝缘等级	Insulation Level	A	
使用流体	Medium	Air	
寿命试验	Lifetime test	200.000 Times(12s on, 5s off)	
使用环境	Working environment	0~50 °C, 75% RH	

# 型号 Model: SC0840CVG

旧版型号: SC0840GK

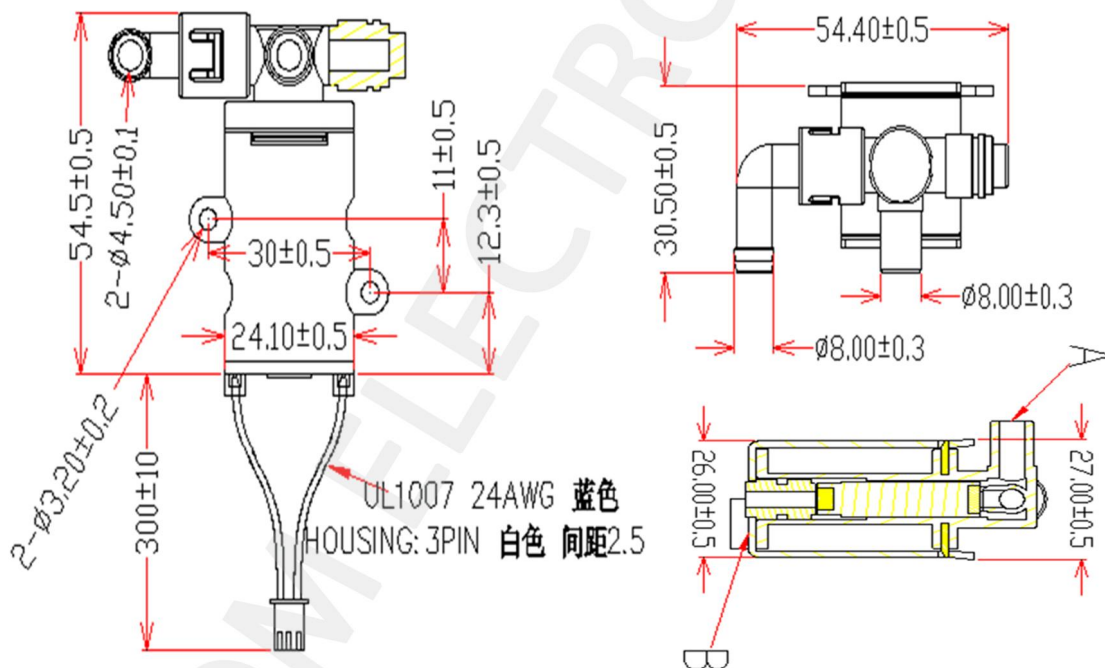


气  
阀

Air valve

**Application** Cosmetic Instrument/Massage Machine/  
Physiotherapy Instrument etc.

## 产品尺寸 Dimension:



## 产品参数 Parameter:

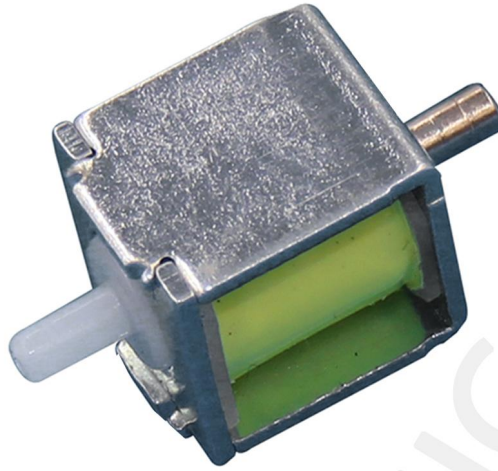
Specification 产品规格	
结构 Structure	2-position 3-way
模式 Mode	Normally opened
额定电压 Rated voltage	DC12.0V
额定电压 Rated voltage	DC24.0V
额定电流 Rated current	250mA
额定电流 Rated current	117mA
阻抗 Resistance	48Ω ±10%
阻抗 Resistance	205Ω ±10%
最大压力 Pressure	300mmHg
泄气时间 Exhaust Time	3.0 seconds from 300mmHg reduce to 15mmHg in 100CC tank.
气密性 Leakage	3mmHg/min from 300mmHg at 100CC tank.
绝缘等级 Insulation Level	A
使用流体 Medium	Air
寿命试验 Lifetime test	500.000 Times(5s on, 0.5s off)
使用环境 Working environment	0~50 °C, 75% RH

# 型号 Model: SC0411VG

气  
阀

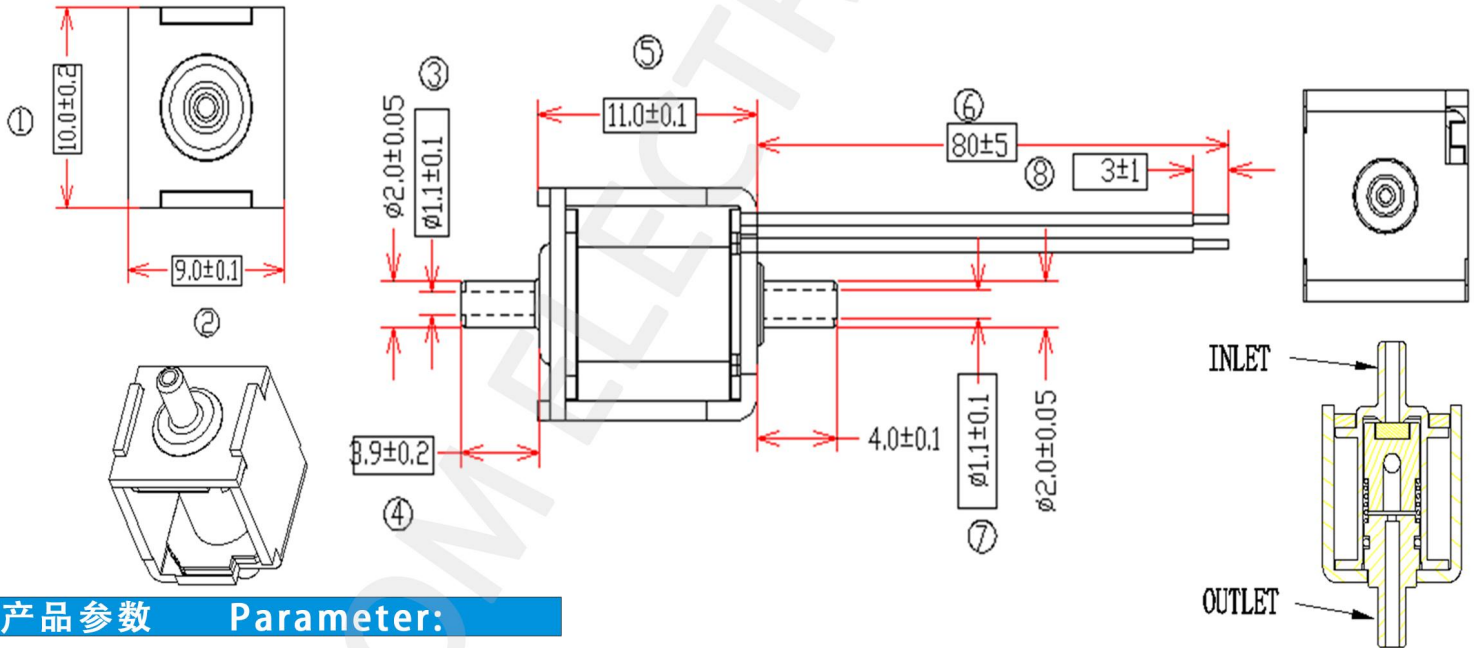
Air valve

旧版型号: SC0411G



**Application** Gas Sampling Machine / Blood Pressure Meter etc.

## 产品尺寸 Dimension:



## 产品参数 Parameter:

Specification 产品规格		
结构	Structure	2-way
模式	Mode	Normally closed
额定电压	Rated voltage	DC3.0V
额定电流	Rated current	375mA
阻抗	Resistance	8Ω±10%
最大压力	Pressure	350mmHg
泄气时间	Exhaust Time	3.0 seconds from 300mmHg reduce to 15mmHg in 100CC tank.
气密性	Leakage	3mmHg/min from 300mmHg at 100CC tank.
绝缘等级	Insulation Level	A
使用流体	Medium	Air
寿命试验	Lifetime test	200,000 Times
使用环境	Working environment	0~50 °C, 75% RH

# 型号 Model: SC0415AVG

旧版型号: SC0415GL

气  
阀

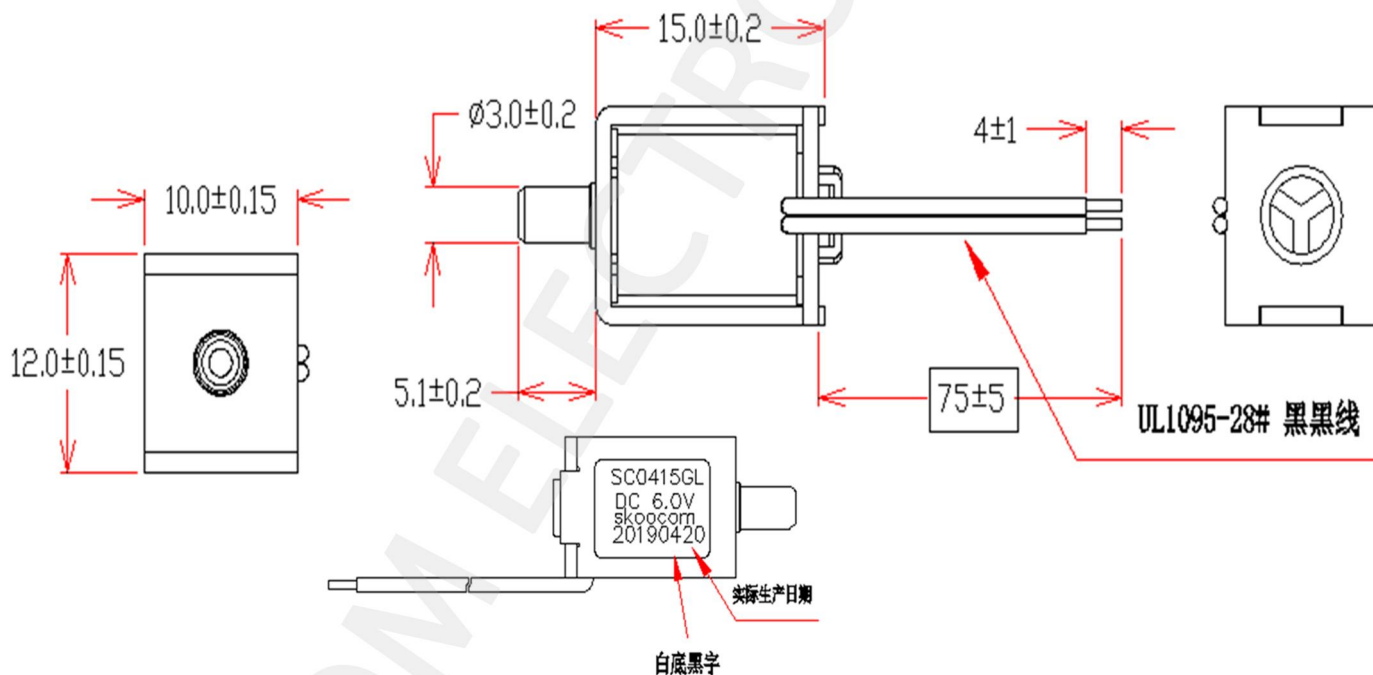
Air valve



## Application

Massager Machine etc.

## 产品尺寸 Dimension:



## 产品参数 Parameter:

		Specification 产品规格		
结构	Structure	2-way		
模式	Mode	Normally opened		
额定电压	Rated voltage	DC3.0V	DC4.5V	DC6.0V
额定电流	Rated current	97mA	84mA	60mA
阻抗	Resistance	$31\Omega \pm 10\%$	$60\Omega \pm 10\%$	$100\Omega \pm 10\%$
最大压力	Pressure	350mmHg		
泄气时间	Exhaust Time	3.0 seconds from 300mmHg reduce to 15mmHg in 100CC tank.		
气密性	Leakage	3mmHg/min from 300mmHg at 100CC tank.		
绝缘等级	Insulation Level	A		
使用流体	Medium	Air		
寿命试验	Lifetime test	200,000 Times(5s on, 5s off)		
使用环境	Working environment	0~50 °C, 75% RH		

# 型号 Model: SC0415BVG

旧版型号: SC0415GB

气  
阀

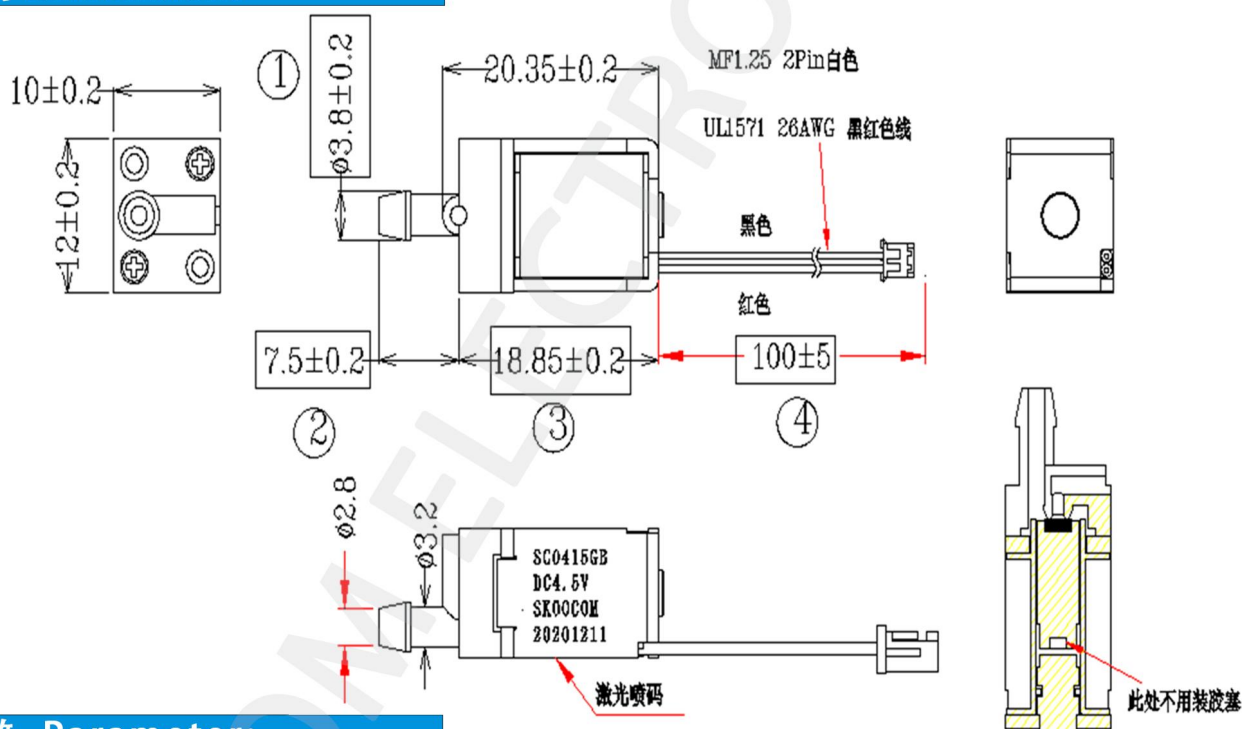
Air valve



## Application

Massager Machine etc.

## 产品尺寸 Dimension:



## 产品参数 Parameter:

Specification 产品规格		2-way			
Structure 结构		Normally closed			
Mode 模式		Normally closed			
额定电压 Rated voltage		DC3.0V	DC4.5V	DC6.0V	DC12.0V
额定电流 Rated current		333mA	215mA	200mA	110mA
阻抗 Resistance		9Ω±10%	21Ω±10%	30Ω±10%	110Ω±10%
最大压力 Pressure		350mmHg			
泄气时间 Exhaust Time		3.0 seconds from 300mmHg reduce to 15mmHg at 100CC tank.			
气密性 Leakage		3mmHg/min from 300mmHg at 100CC tank.			
绝缘等级 Insulation Level		A			
使用流体 Medium		Air			
寿命试验 Lifetime test		200,000 Times ( 12s on, 5s off)			
使用环境 Working environment		0~50 °C, 75% RH			

型号 Model: SC0415CVG

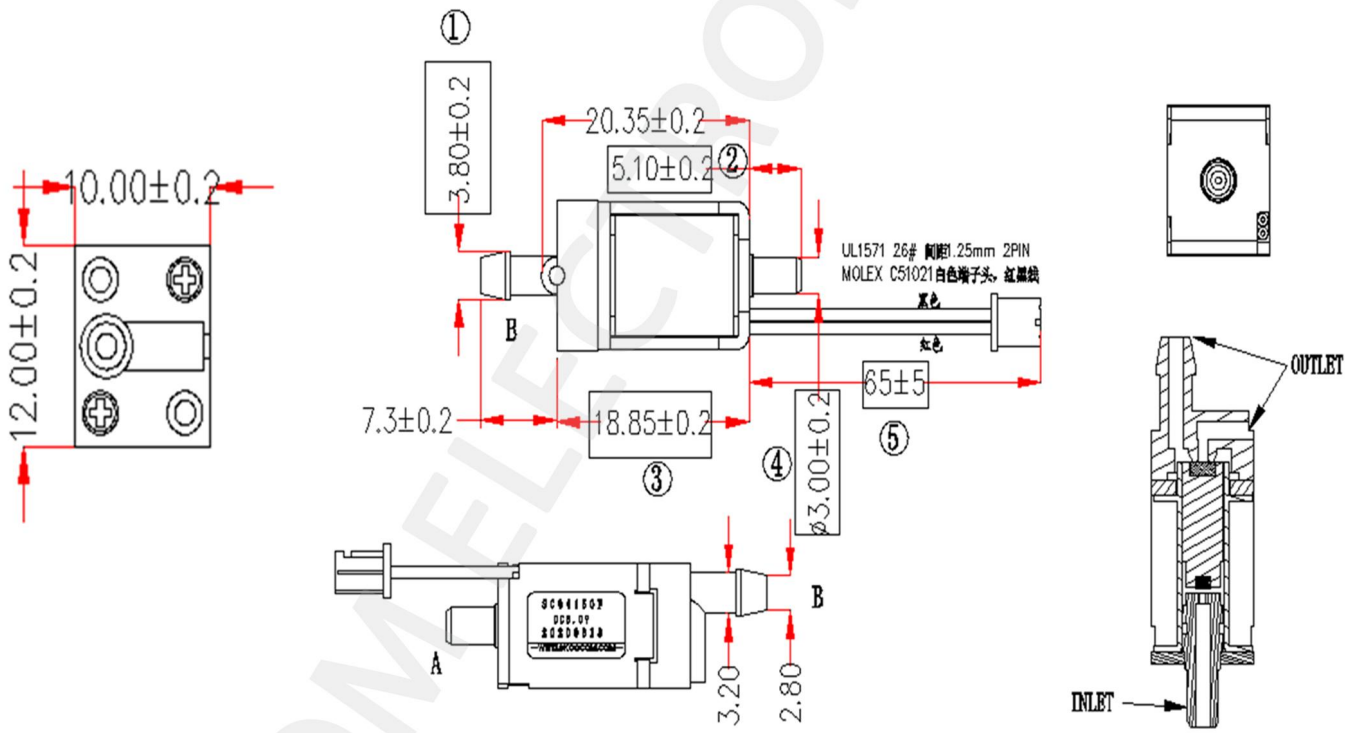
旧版型号: SC0415GF



Application

Massager Machine etc.

产品尺寸 Dimension:



产品参数 Parameter:

Specification 产品规格		3-way			
结构	Structure	3-way			
模式	Mode	Normally opened			
额定电压	Rated voltage	DC3.0V	DC4.5V	DC6.0V	DC12.0V
额定电流	Rated current	300mA	215mA	200mA	160mA
阻抗	Resistance	10Ω ± 10%	21Ω ± 10%	30Ω ± 10%	75Ω ± 10%
最大压力	Pressure	350mmHg			
泄气时间	Exhaust Time	3.0 seconds from 300mmHg reduce to 15mmHg in 100CC tank.			
气密性	Leakage	3mmHg/min from 300mmHg at 100CC tank.			
绝缘等级	Insulation Level	A			
使用流体	Medium	Air			
寿命试验	Lifetime test	200,000 Times (12s on, 5s off)			
使用环境	Working environment	0~50 °C, 75% RH			

# 型号 Model: SC0518AVG

旧版型号: SC0518GF

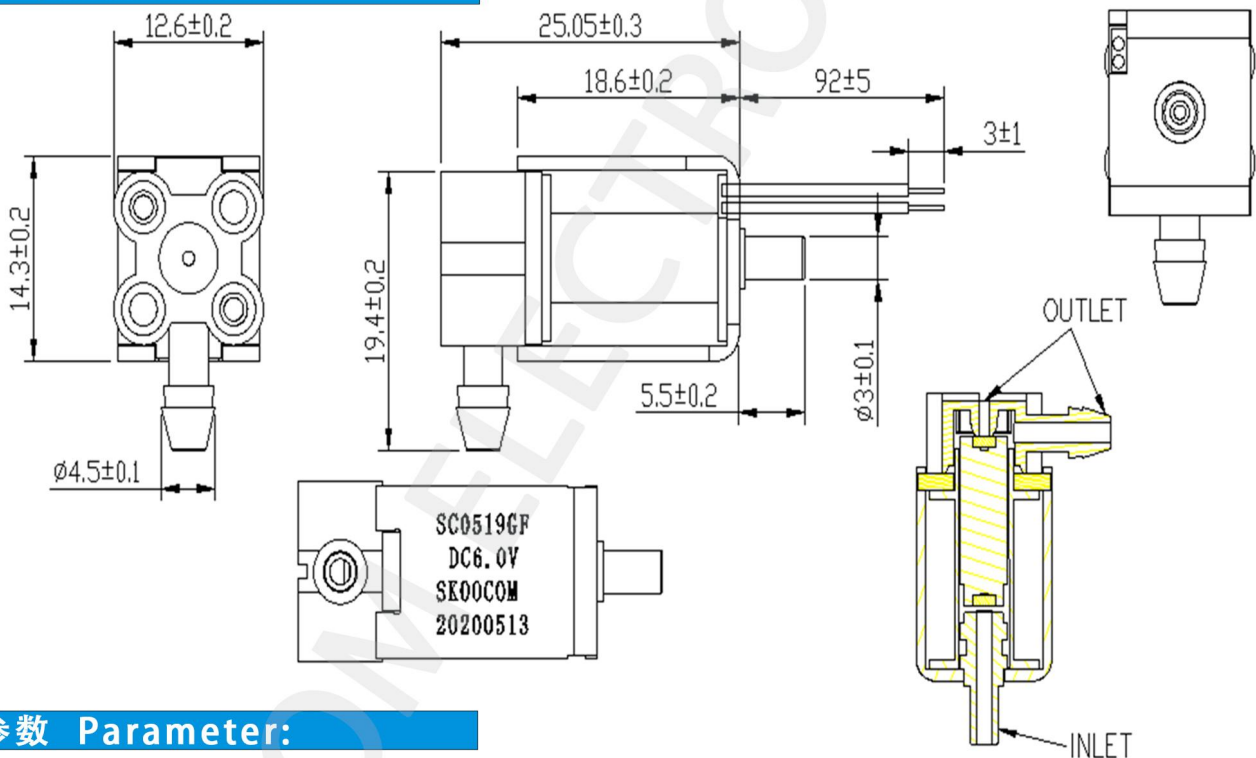


气  
阀

Air valve

Application Massager Machine etc.

## 产品尺寸 Dimension:



## 产品参数 Parameter:

		Specification 产品规格			
结构	Structure	3-way			
模式	Mode	Normally opened			
额定电压	Rated voltage	DC3.7V	DC6.0V	DC12.0V	DC24.0V
额定电流	Rated current	336mA	182mA	114mA	50mA
阻抗	Resistance	11Ω±10%	33Ω±10%	105Ω±10%	480Ω±10%
最大压力	Pressure	350mmHg			
泄气时间	Exhaust Time	3.0 seconds from 300mmHg reduce to 15mmHg in 100CC tank.			
气密性	Leakage	3mmHg/min from 300mmHg at 100CC tank.			
绝缘等级	Insulation Level	A			
使用流体	Medium	Air			
寿命试验	Lifetime test	200.000 Times (12s on, 5s off)			
使用环境	Working environment	0~50 °C, 75% RH			

# 型号 Model: SC0519AVG

旧版型号: SC0519GF



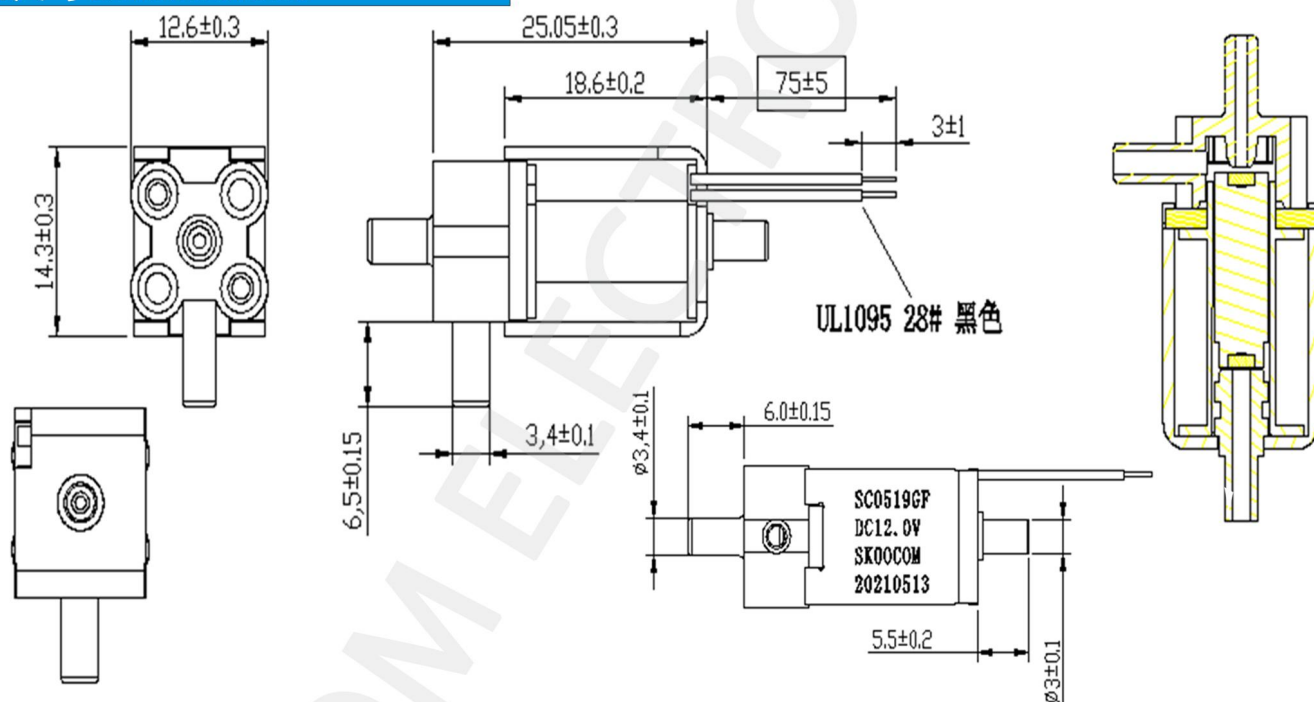
气  
阀

Air  
valve

## Application

Massager Machine/  
Cosmetic Instrument etc.

## 产品尺寸 Dimension:



## 产品参数 Parameter:

		Specification 产品规格		
结构	Structure	2-position 3-way		
模式	Mode	Normally opened		
额定电压	Rated voltage	DC3.0V	DC6.0V	DC12.0V
额定电流	Rated current	375mA	300mA	141mA
阻抗	Resistance	8Ω±10%	20Ω±10%	85Ω±10%
最大压力	Pressure	350mmHg		
泄气时间	Exhaust Time	3.0 seconds from 300mmHg reduce to 15mmHg in 100CC tank.		
气密性	Leakage	3mmHg/min from 300mmHg at 100CC tank.		
绝缘等级	Insulation Level	A		
使用流体	Medium	Air		
寿命试验	Lifetime test	200,000 Times (12s on, 5s off)		
使用环境	Working environment	0~50 °C, 75% RH		

# 型号 Model: SC0520AVG

旧版型号: SC0520G

气阀

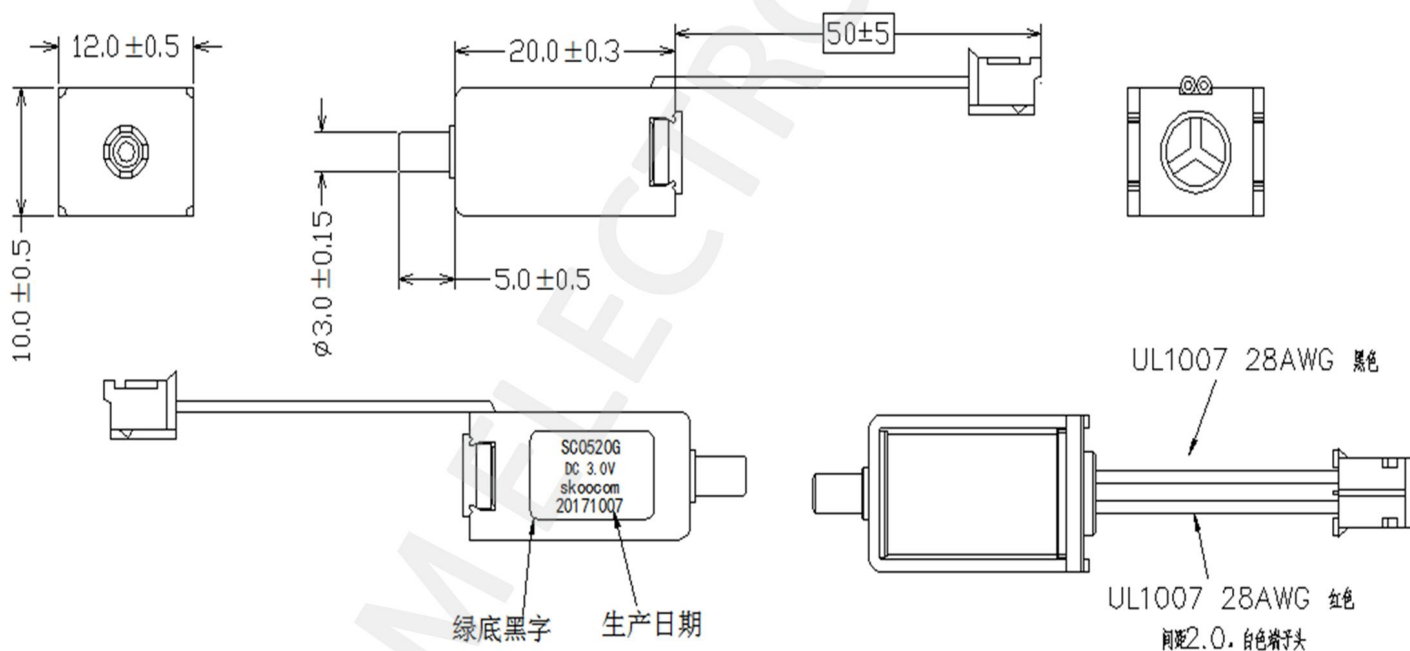
Air valve



## Application

Massager Machine/  
Blood Pressure Tester etc.

## 产品尺寸 Dimension:



## 产品参数 Parameter:

		Specification 产品规格		
结构	Structure	2-way		
模式	Mode	Normally opened		
额定电压	Rated voltage	DC3.0V	DC5.0V	DC6.0V
额定电流	Rated current	75mA	77mA	80mA
阻抗	Resistance	40Ω ±10%	65Ω ±10%	75Ω ±10%
最大压力	Pressure	350mmHg		
泄气时间	Exhaust Time	3.0 seconds from 300mmHg reduce to 15mmHg in 100CC tank.		
气密性	Leakage	3mmHg/min from 300mmHg at 100CC tank.		
绝缘等级	Insulation Level	A		
使用流体	Medium	Air		
寿命试验	Lifetime test	200,000 Times (12s on, 5s off)		
使用环境	Working environment	0~50 °C, 75% RH		

型号 Model: SC0520BVG

旧版型号: SC0520G-3

气  
阀

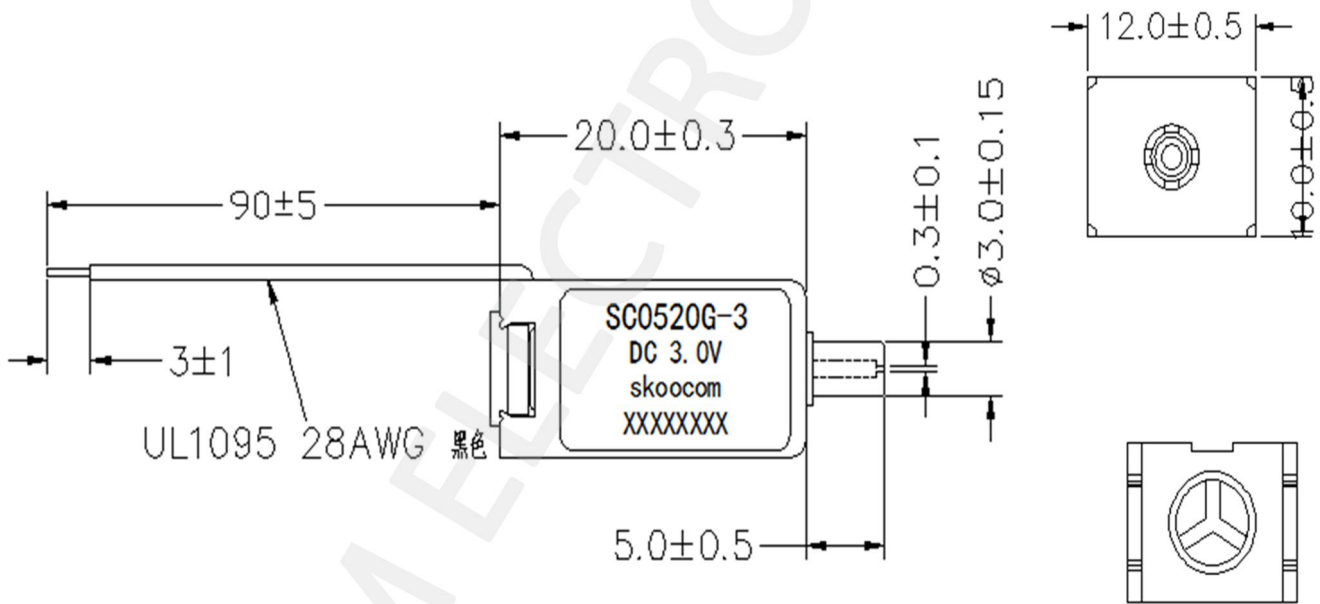
Air valve



Application

Massager Machine/  
Blood Pressure Tester etc.

产品尺寸 Dimension:



产品参数 Parameter:

		Specification 产品规格		
结构	Structure	2-way		
模式	Mode	Normally opened		
额定电压	Rated voltage	DC3.0V	DC5.0V	DC6.0V
额定电流	Rated current	75mA	77mA	80mA
阻抗	Resistance	40Ω±10%	65Ω±10%	75Ω±10%
最大压力	Pressure	350mmHg		
泄气时间	Exhaust Time	3.0 seconds from 300mmHg reduce to 15mmHg in 100CC tank.		
气密性	Leakage	3mmHg/min from 300mmHg at 100CC tank.		
绝缘等级	Insulation Level	A		
使用流体	Medium	Air		
寿命试验	Lifetime test	200,000 Times (12s on, 5s off)		
使用环境	Working environment	0~50 °C, 75% RH		

# 型号 Model: SC0520CVG

旧版型号: SC0520G-5



气  
阀

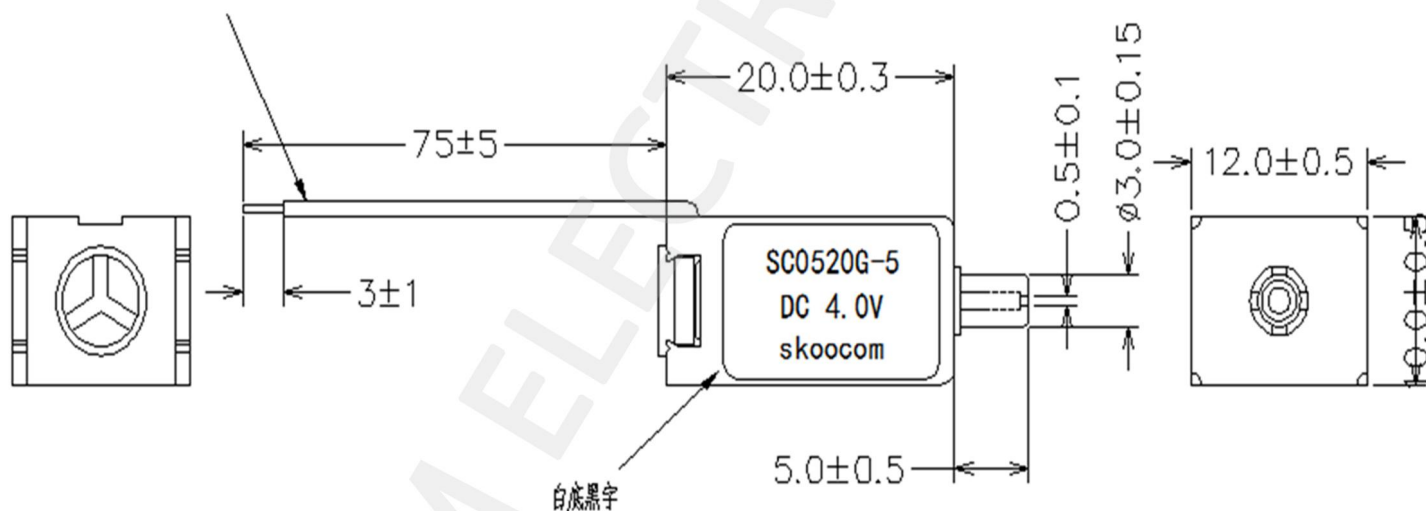
Air valve

## Application

Massager Machine/  
Blood Pressure Tester etc.

## 产品尺寸 Dimension:

UL1095 28AWG 黑色



## 产品参数 Parameter:

		Specification 产品规格		
结构	Structure	2-way		
模式	Mode	Normally opened		
额定电压	Rated voltage	DC3.0V	DC5.0V	DC6.0V
额定电流	Rated current	75mA	77mA	80mA
阻抗	Resistance	40Ω±10%	65Ω±10%	75Ω±10%
最大压力	Pressure	350mmHg		
泄气时间	Exhaust Time	3.0 seconds from 300mmHg reduce to 15mmHg in 100CC tank.		
气密性	Leakage	3mmHg/min from 300mmHg at 100CC tank.		
绝缘等级	Insulation Level	A		
使用流体	Medium	Air		
寿命试验	Lifetime test	200,000 Times (12s on, 5s off)		
使用环境	Working environment	0~50 °C, 75% RH		

# 型号 Model: SC0520DVG

旧版型号: SC0526GL-3

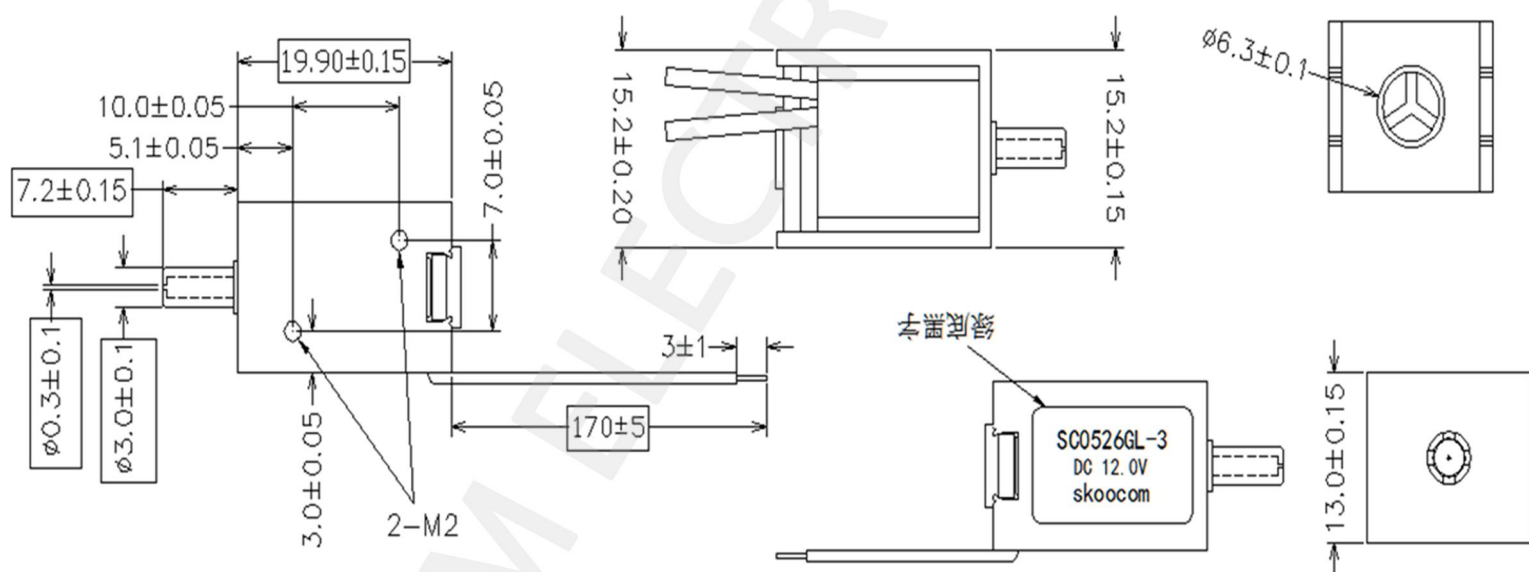


气阀  
Air valve

## Application

Massager Machine etc.

## 产品尺寸 Dimension:



## 产品参数 Parameter:

		Specification 产品规格	
结构	Structure	2-way	
模式	Mode	Normally opened	
额定电压	Rated voltage	DC6.0V	DC12.0V
额定电流	Rated current	57mA	44.5mA
阻抗	Resistance	105Ω ±10%	270Ω ±10%
最大压力	Pressure	350mmHg	
泄气时间	Exhaust Time	3.0 seconds from 300mmHg reduce to 15mmHg in 100CC tank.	
气密性	Leakage	3mmHg/min from 300mmHg at 100CC tank.	
绝缘等级	Insulation Level	A	
使用流体	Medium	Air	
寿命试验	Lifetime test	200.000 Times (12s on, 5s off)	
使用环境	Working environment	0~50℃, 75% RH	

# 型号 Model: SC0520EVG

旧版型号: SC0526GL-5



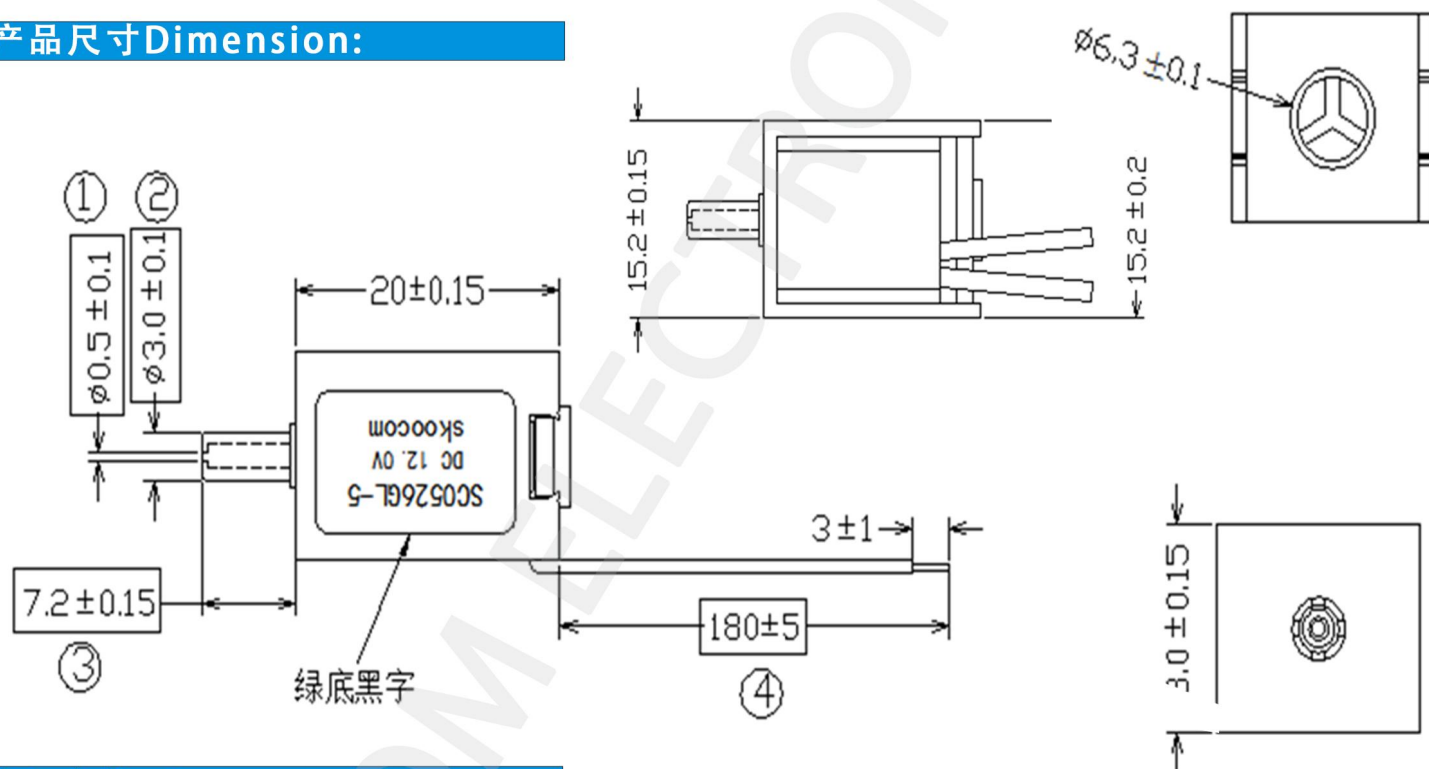
气  
阀

Air valve

## Application

Massager Machine etc.

## 产品尺寸 Dimension:



## 产品参数 Parameter:

		Specification 产品规格	
结构	Structure	2-way	
模式	Mode	Normally opened	
额定电压	Rated voltage	DC6.0V	DC12.0V
额定电流	Rated current	57mA	44.5mA
阻抗	Resistance	105Ω ±10%	270Ω ±10%
最大压力	Pressure	350mmHg	
泄气时间	Exhaust Time	3.0 seconds from 300mmHg reduce to 15mmHg in 100CC tank.	
气密性	Leakage	3mmHg/min from 300mmHg at 100CC tank.	
绝缘等级	Insulation Level	A	
使用流体	Medium	Air	
寿命试验	Lifetime test	200.000 Times (12s on, 5s off)	
使用环境	Working environment	0~50 °C, 75% RH	

# 型号 Model: SC0520MVG

旧版型号: SC0526GL-7

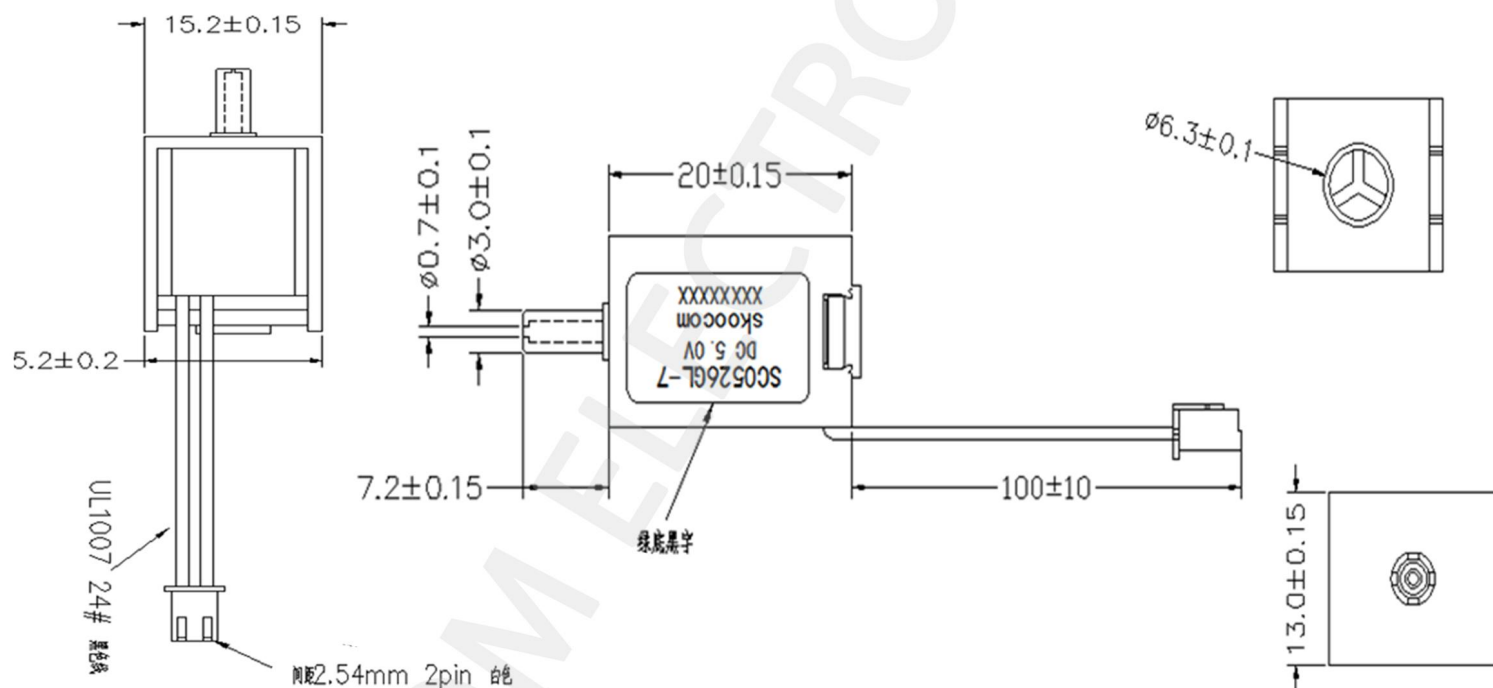


气阀  
Air valve

## Application

Massager Machine etc.

## 产品尺寸 Dimension:



## 产品参数 Parameter:

		Specification 产品规格	
结构	Structure	2-way	
模式	Mode	Normally opened	
额定电压	Rated voltage	DC6.0V	DC12.0V
额定电流	Rated current	57mA	44.5mA
阻抗	Resistance	105 Ω ± 10%	270 Ω ± 10%
最大压力	Pressure	350mmHg	
泄气时间	Exhaust Time	3.0 seconds from 300mmHg reduce to 15mmHg in 100CC tank.	
气密性	Leakage	3mmHg/min from 300mmHg at 100CC tank.	
绝缘等级	Insulation Level	A	
使用流体	Medium	Air	
寿命试验	Lifetime test	200.000 Times (12s on, 5s off)	
使用环境	Working environment	0~50 °C, 75% RH	

# 型号 Model: SC0520GVG

旧版型号: SC0526GB



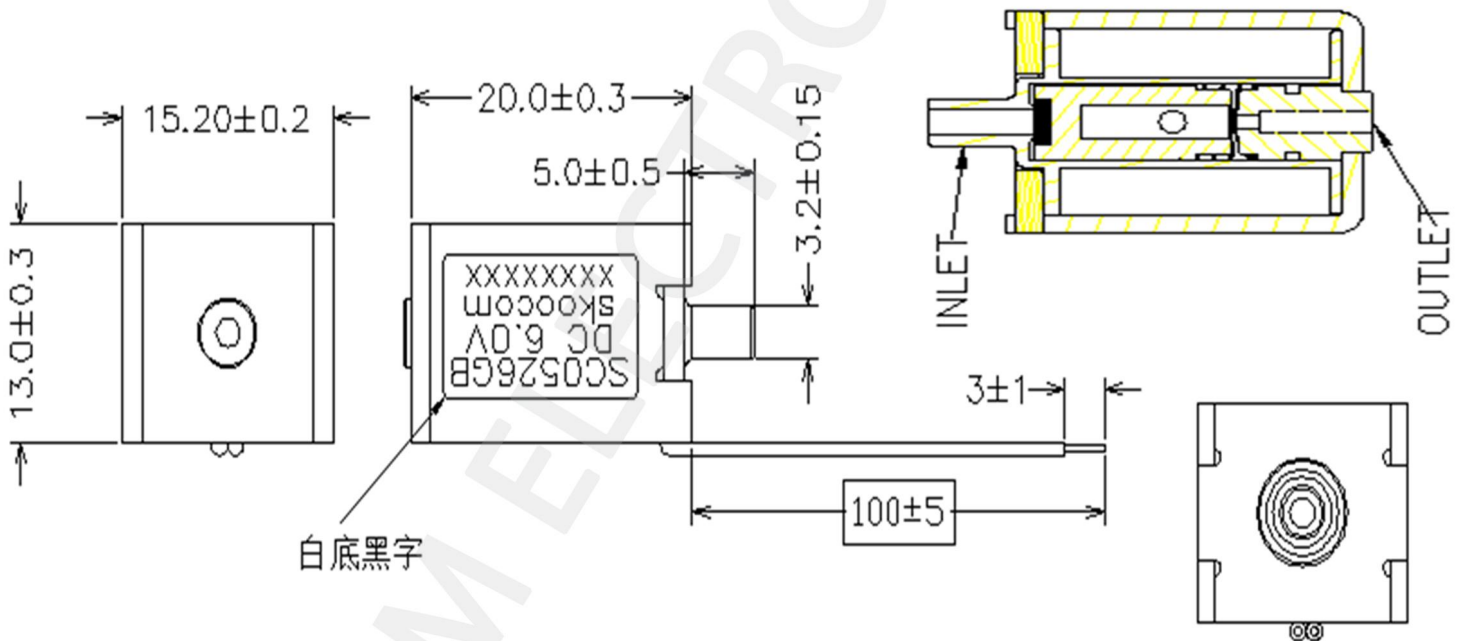
气  
阀

Air valve

## Application

Massager Machine/  
Cosmetic Instrument etc.

## 产品尺寸 Dimension:



## 产品参数 Parameter:

		Specification 产品规格			
结构	Structure	2-way			
模式	Mode	Normally closed			
额定电压	Rated voltage	DC3.0V	DC6.0V	DC12.0V	DC24.0V
额定电流	Rated current	375mA	172mA	31mA	12mA
阻抗	Resistance	8Ω ±10%	35Ω ±10%	65Ω ±10%	200Ω ±10%
最大压力	Pressure	350mmHg			
泄气时间	Exhaust Time	3.0 seconds from 300mmHg reduce to 15mmHg in 100CC tank.			
气密性	Leakage	3mmHg/min from 300mmHg at 100CC tank.			
绝缘等级	Insulation Level	A			
使用流体	Medium	Air			
寿命试验	Lifetime test	200.000 Times (12s on, 5s off)			
使用环境	Working environment	0~50 °C, 75% RH			

# 型号 Model: SC0520HVG

旧版型号: SC0526GF

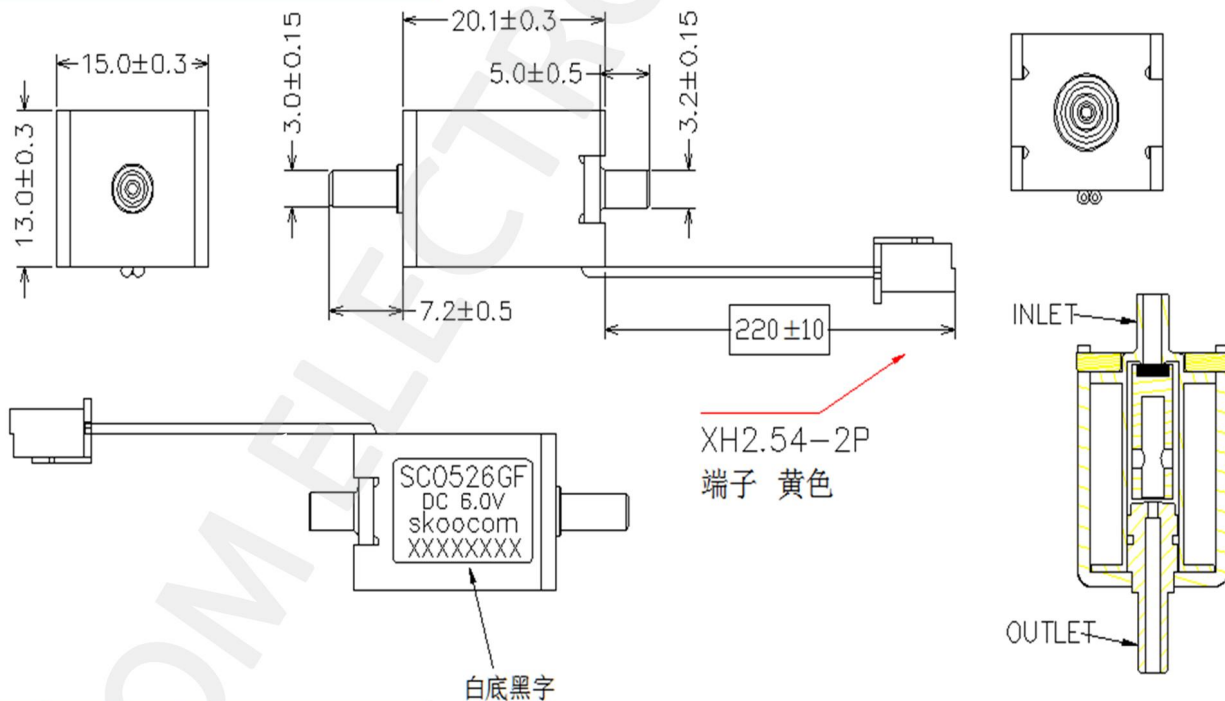
气  
阀

Air  
valve



**Application** Massager Machine /Cosmetic Instrument/  
Blood Pressure Tester etc.

## 产品尺寸 Dimension:



## 产品参数 Parameter:

		Specification 产品规格			
结构	Structure	2-way			
模式	Mode	Normally closed			
额定电压	Rated voltage	DC3.0V	DC6.0V	DC12V	DC24.0V
额定电流	Rated current	300mA	387mA	343mA	89mA
阻抗	Resistance	10Ω ±10%	15.5Ω ±10%	35Ω ±10%	270Ω ±10%
压力	Pressure	350mmHg			
泄气时间	Exhaust Time	3.0 seconds from 300mmHg reduce to 15mmHg in 100CC tank.			
气密性	Leakage	3mmHg/min from 300mmHg at 100CC tank.			
绝缘等级	Insulation Level	A			
使用流体	Medium	Air			
寿命试验	Lifetime test	200.000 Times (12s on, 5s off)			
使用环境	Working environment	0~50 °C, 75% RH			

# 型号 Model: SC0520IVG

旧版型号: SC0526GK

气阀

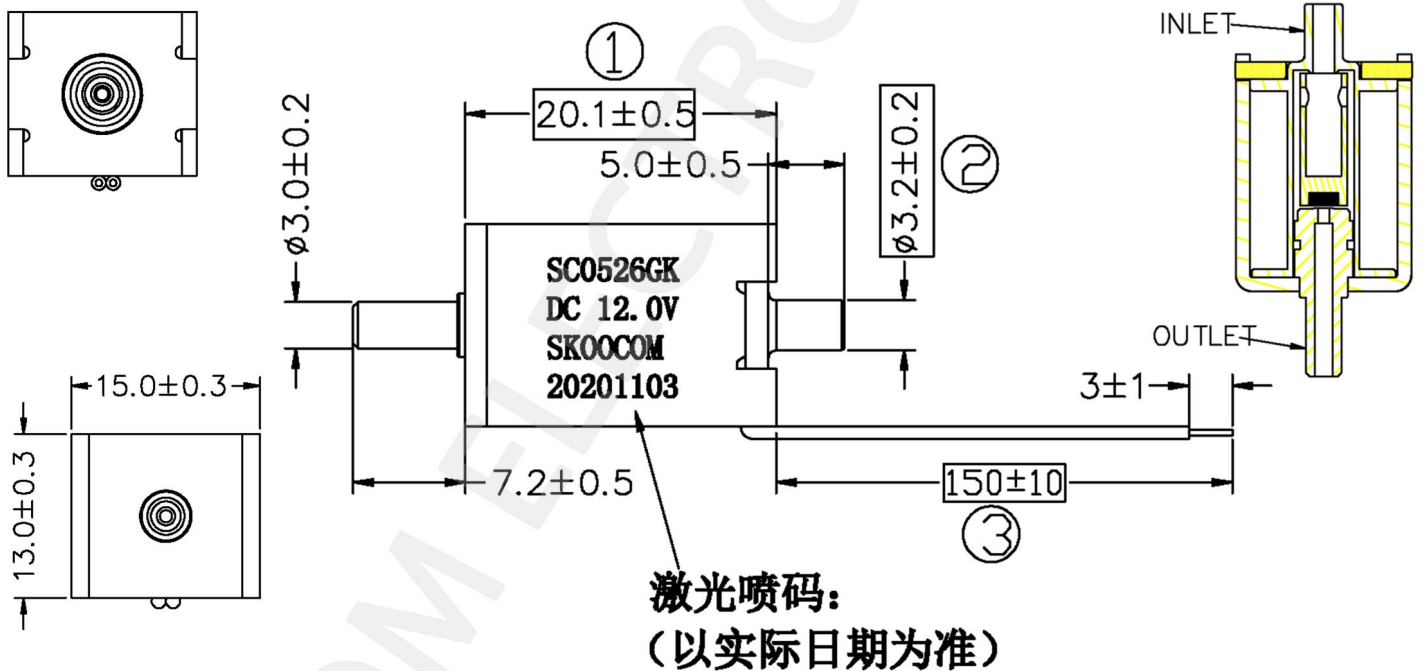
Air valve



## Application

Cosmetic Instrument / Massage Machine /  
Blood Pressure Tester / Freshness Preserving Box etc.

## 产品尺寸 Dimension:



## 产品参数 Parameter:

		Specification 产品规格			
结构	Structure	2-way			
模式	Mode	Normally opened			
额定电压	Rated voltage	DC3.0V	DC3.7V	DC6.0V	DC12.0V
额定电流	Rated current	237mA	185mA	93mA	44.5mA
阻抗	Resistance	11Ω ±10%	20Ω ±10%	65Ω ±10%	89Ω ±10%
最大压力	Pressure	350mmHg			
泄气时间	Exhaust Time	3.0 seconds from 300mmHg reduce to 15mmHg in 100CC tank.			
气密性	Leakage	3mmHg/min from 300mmHg at 100CC tank.			
绝缘等级	Insulation Level	A			
使用流体	Medium	Air			
寿命试验	Lifetime test	200.000 Times (12s on, 5s off)			
使用环境	Working environment	0~50 °C, 75% RH			

型号 Model: SC0520LVG

旧版型号: SC0526GM

气  
阀

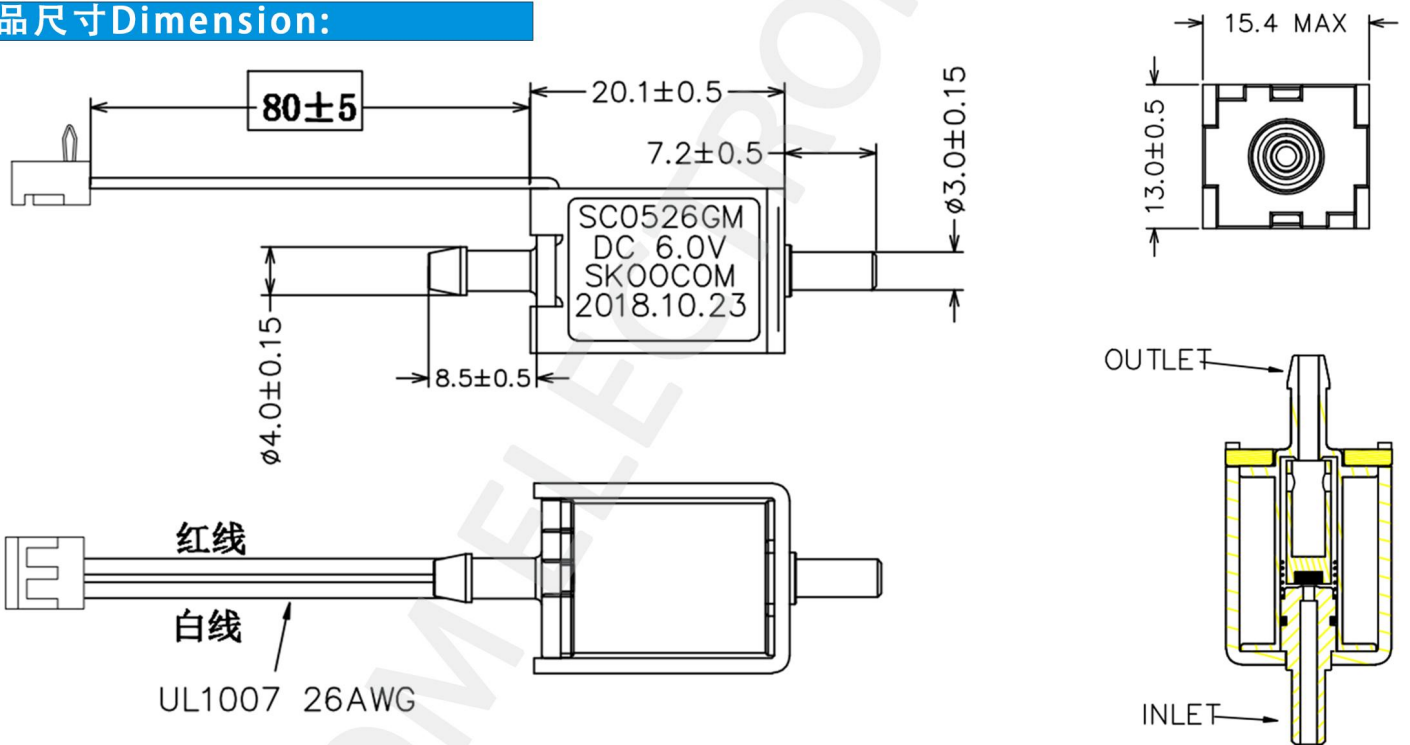
Air valve



Application

Massager Machine etc.

产品尺寸 Dimension:



产品参数 Parameter:

		Specification 产品规格			
结构	Structure	2-way			
模式	Mode	Normally closed			
额定电压	Rated voltage	DC3.0V	DC6.0V	DC12.0V	DC24.0V
额定电流	Rated current	333mA	300mA	185mA	89mA
阻抗	Resistance	9Ω ±10%	20Ω ±10%	65Ω ±10%	27Ω ±10%
最大压力	Pressure	350mmHg			
泄气时间	Exhaust Time	3.0 seconds from 300mmHg reduce to 15mmHg in 100CC tank.			
气密性	Leakage	3mmHg/min from 300mmHg at 100CC tank.			
绝缘等级	Insulation Level	A			
使用流体	Medium	Air			
寿命试验	Lifetime test	200.000 Times (12s on, 5s off)			
使用环境	Working environment	0~50 °C, 75% RH			

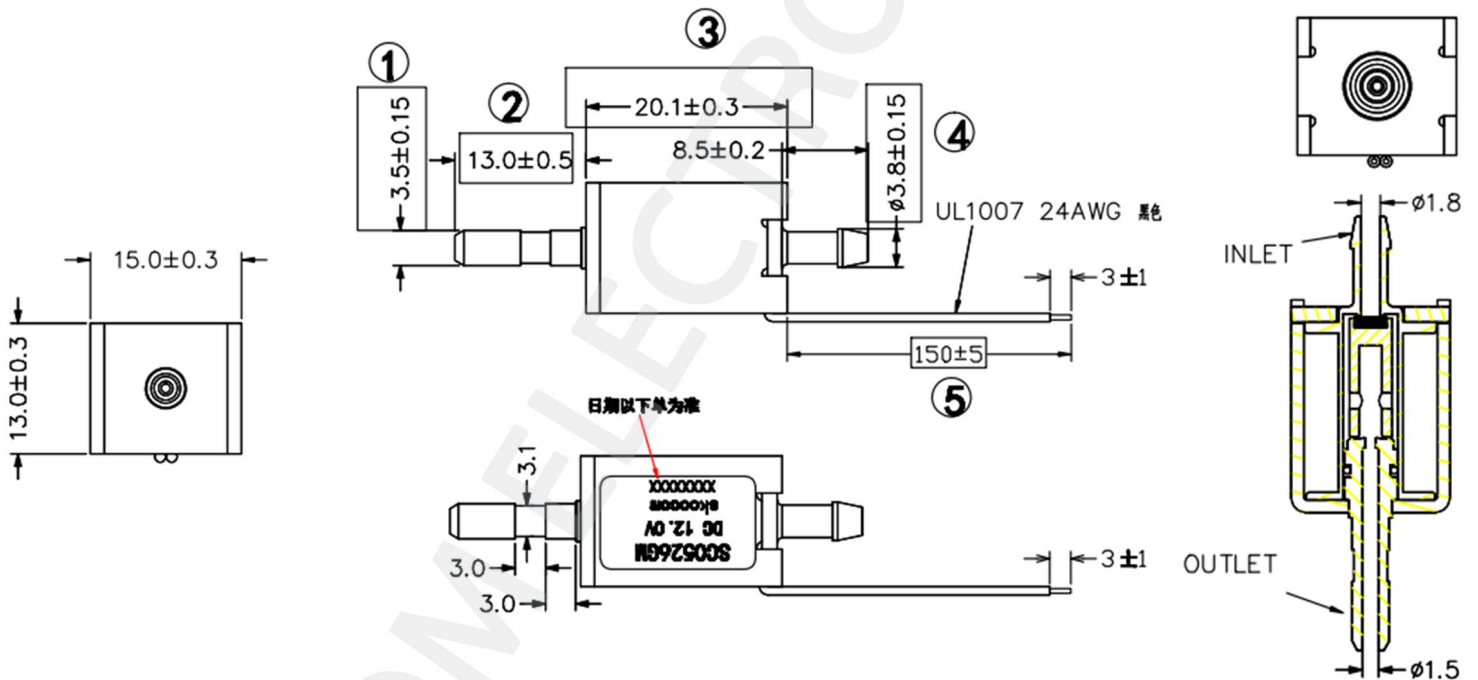
型号 Model: SC0520UVG

旧版型号: SC0526GM



Application Massager Machine etc.

产品尺寸 Dimension:



产品参数 Parameter:

Specification 产品规格	
结构 Structure	2-way
模式 Mode	Normally closed
额定电压 Rated voltage	DC5.0V DC12.0V
额定电流 Rated current	588mA 185mA
阻抗 Resistance	8.5Ω ±10% 65Ω ±10%
最大压力 Pressure	350mmHg
泄气时间 Exhaust Time	3.0 seconds from 300mmHg reduce to 15mmHg in 100CC tank.
气密性 Leakage	3mmHg/min from 300mmHg at 100CC tank.
绝缘等级 Insulation Level	A
使用流体 Medium	Air
寿命试验 Lifetime test	200.000 Times (12s on, 5s off)
使用环境 Working environment	0~50 °C, 75% RH

# 型号 Model: SC0520PVG

旧版型号: SC0526GX

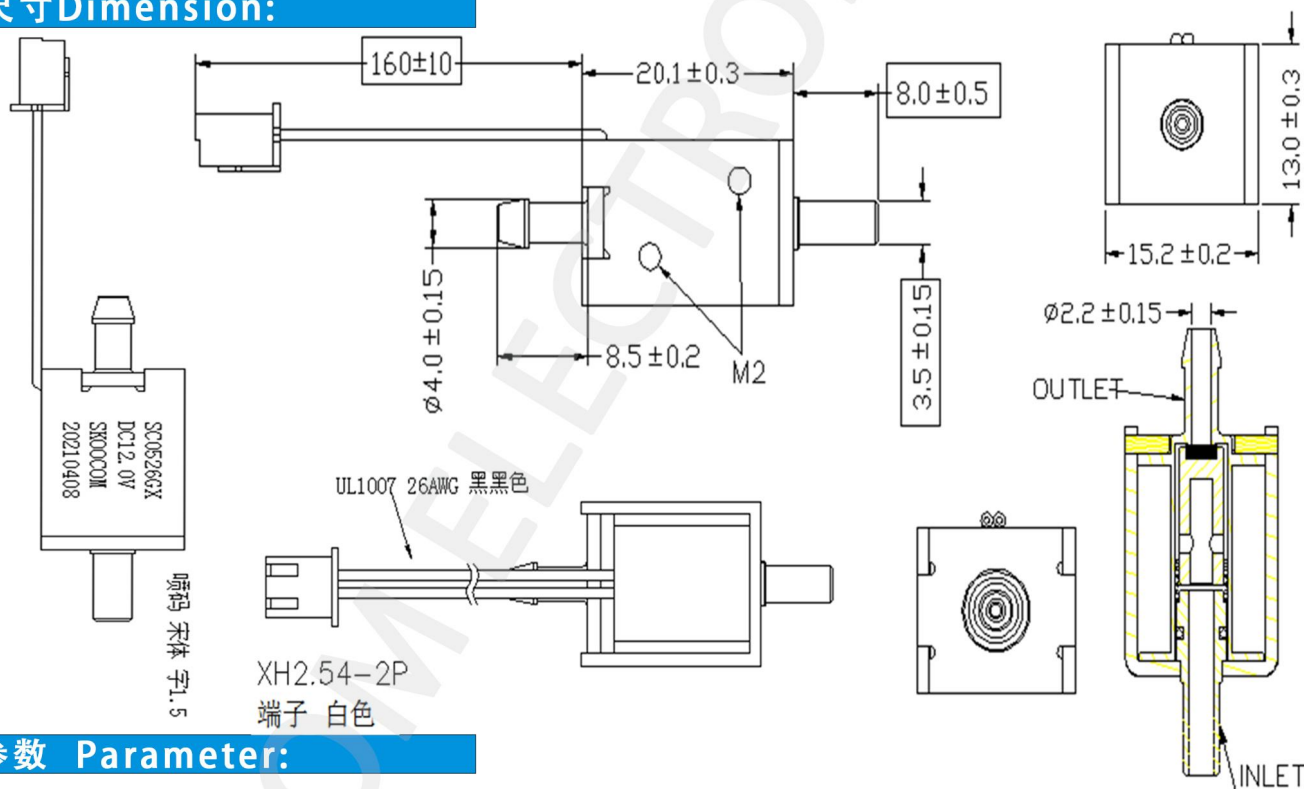


气阀

Air valve

**Application** Cosmetic Instrument / Massage Machine / Blood Pressure Tester etc.

## 产品尺寸 Dimension:



## 产品参数 Parameter:

Specification 产品规格		
结构	Structure	2-way
模式	Mode	Normally closed
额定电压	Rated voltage	DC3.0V
额定电流	Rated current	300mA
阻抗	Resistance	20Ω ± 10%
最大压力	Pressure	350mmHg
泄气时间	Exhaust Time	3.0 seconds from 300mmHg reduce to 15mmHg in 100CC tank.
气密性	Leakage	3mmHg/min from 300mmHg at 100CC tank.
绝缘等级	Insulation Level	A
使用流体	Medium	Air
寿命试验	Lifetime test	200,000 Times (12s on, 5s off)
使用环境	Working environment	0~50 °C, 75% RH

# 型号 Model: SC0520QVG

旧版型号: SC0526GH

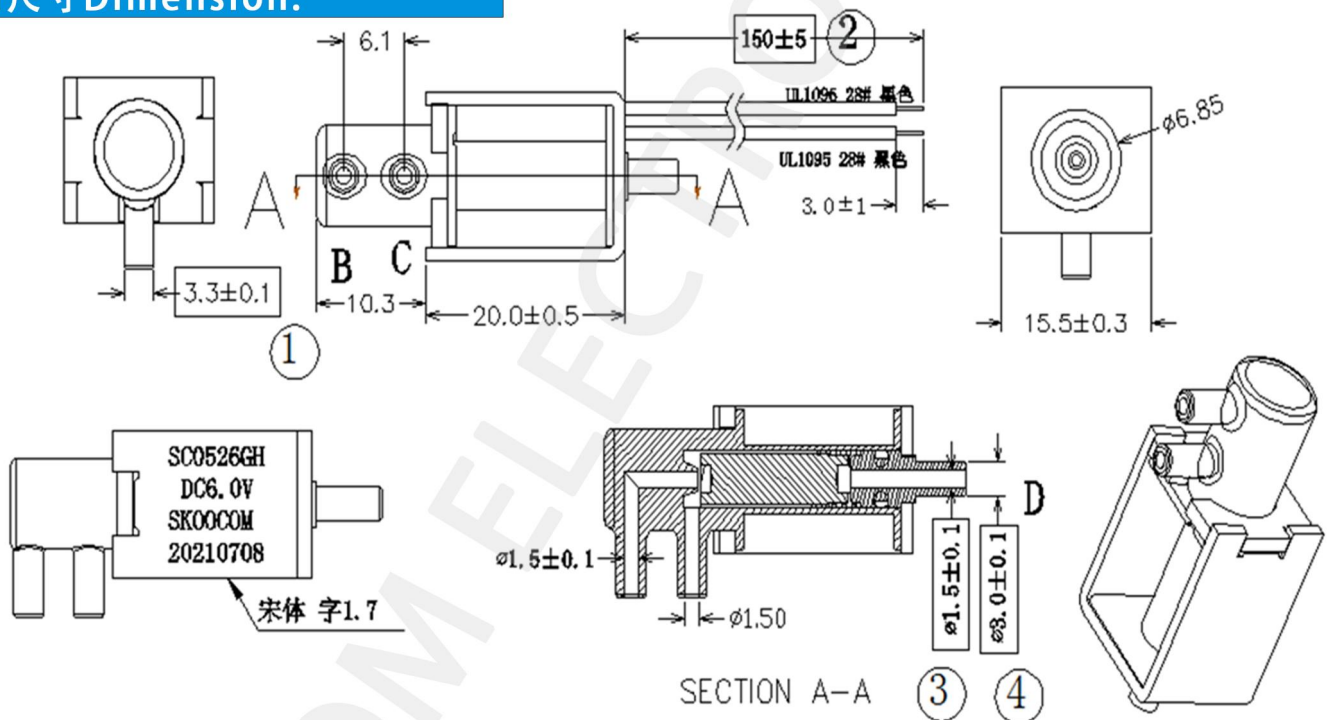
气阀

Air valve



Application: Cosmetic Instrument/Massage Machine etc.

## 产品尺寸 Dimension:



## 产品参数 Parameter:

		Specification 产品规格	
结构	Structure	3-way	
模式	Mode	Normally closed	
额定电压	Rated voltage	DC6.0V	DC12.0V
额定电流	Rated current	375mA	160mA
阻抗	Resistance	16Ω ±10%	75Ω ±10%
最大压力	Pressure	350mmHg	
泄气时间	Exhaust Time	3.0 seconds from 300mmHg reduce to 15mmHg in 100CC tank.	
气密性	Leakage	3mmHg/min from 300mmHg at 100CC tank.	
绝缘等级	Insulation Level	A	
使用流体	Medium	Air	
寿命试验	Lifetime test	200.000 Times (12s on, 5s off)	
使用环境	Working environment	0~50 °C, 75% RH	

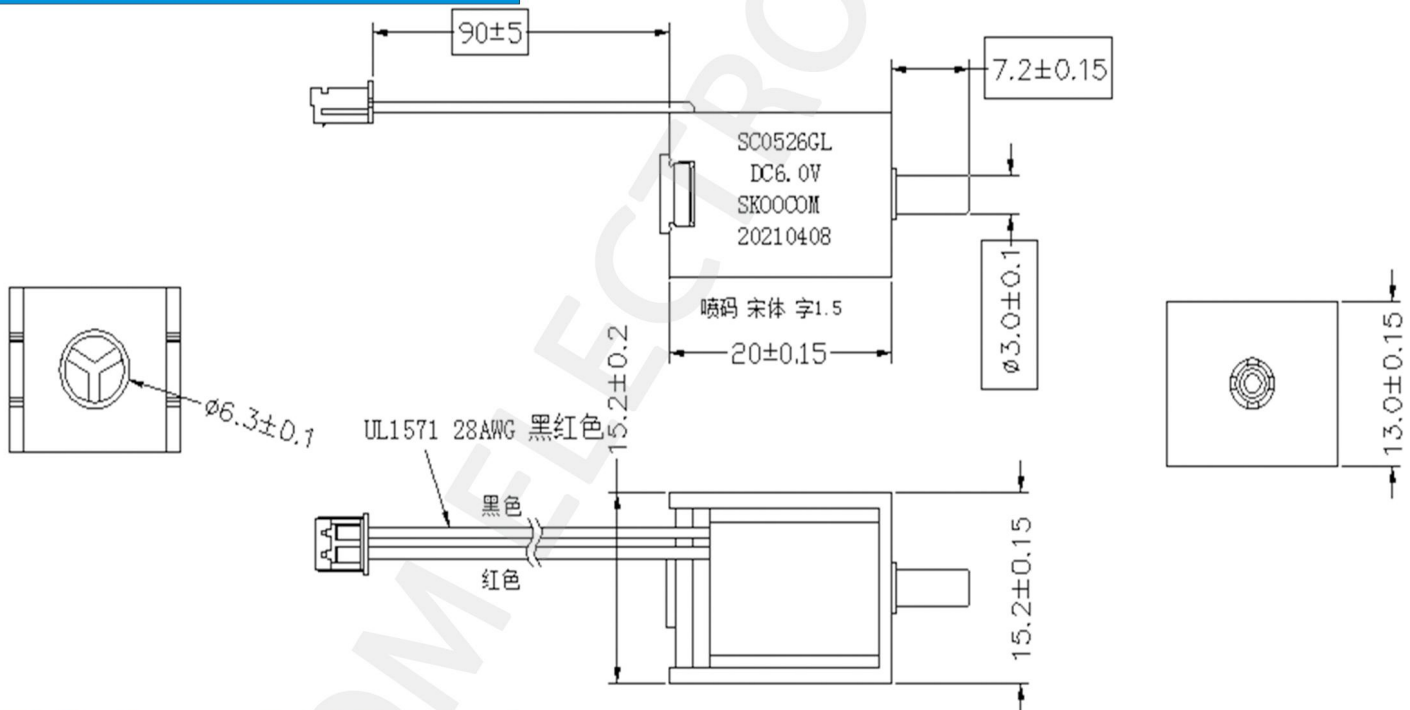
# 型号 Model: SC0520SVG

旧版型号: SC0526GL



**Application** Massage Machine/Blood Pressure Tester / Monitoring Instrument etc.

## 产品尺寸 Dimension:



## 产品参数 Parameter:

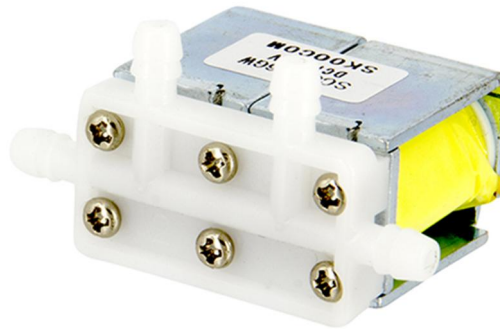
Specification 产品规格		2-way		
模式 Mode		Normally opened		
额定电压 Rated voltage		DC3.0V	DC6.0V	DC12.0V
额定电流 Rated current		67mA	57mA	45mA
阻抗 Resistance		45Ω±10%	105Ω±10%	270Ω±10%
最大压力 Pressure		350mmHg		
泄气时间 Exhaust Time		3.0 seconds from 300mmHg reduce to 15mmHg in 100CC tank.		
气密性 Leakage		3mmHg/min from 300mmHg at 100CC tank.		
绝缘等级 Insulation Level		A		
使用流体 Medium		Air		
寿命试验 Lifetime test		200,000 Times (5s on, 5s off)		
使用环境 Working environment		0~50 °C, 75% RH		

# 型号 Model: SC0520TVG

旧版型号: SC0526GW

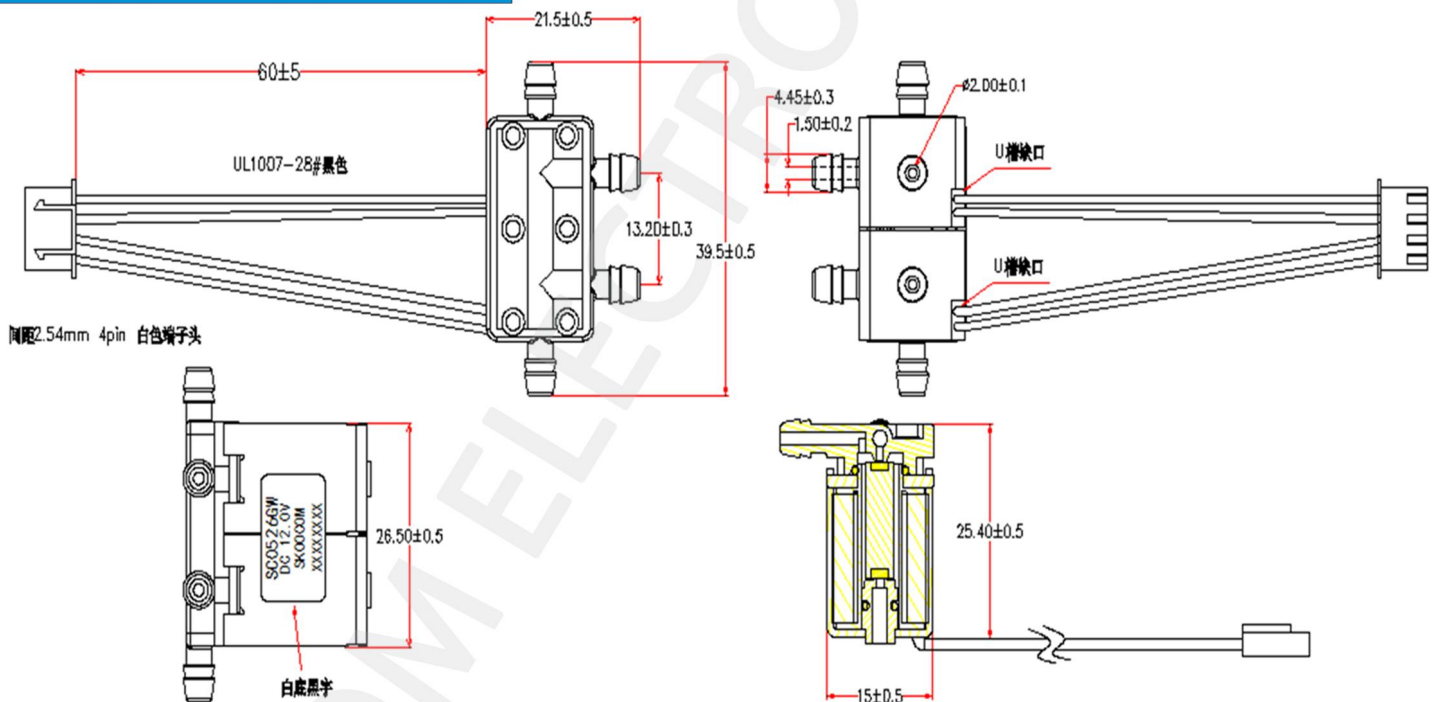
气阀

Air valve



Application: Cosmetic Instrument/Massage Machine etc.

## 产品尺寸 Dimension:



## 产品参数 Parameter:

		Specification 产品规格		
结构	Structure	3-way		
模式	Mode	Normally closed		
额定电压	Rated voltage	DC6.0V	DC12.0V	DC24.0V
额定电流	Rated current	300mA	240mA	104mA
阻抗	Resistance	20Ω±10%	50Ω±10%	270Ω±10%
最大压力	Pressure	350mmHg		
泄气时间	Exhaust Time	3.0 seconds from 300mmHg reduce to 15mmHg in 100CC tank.		
气密性	Leakage	3mmHg/min from 300mmHg at 100CC tank.		
绝缘等级	Insulation Level	A		
使用流体	Medium	Air		
寿命试验	Lifetime test	200,000 Times(12s on, 5s off)		
使用环境	Working environment	0~50 °C, 75% RH		

型号 Model: SC0620AVG

气阀

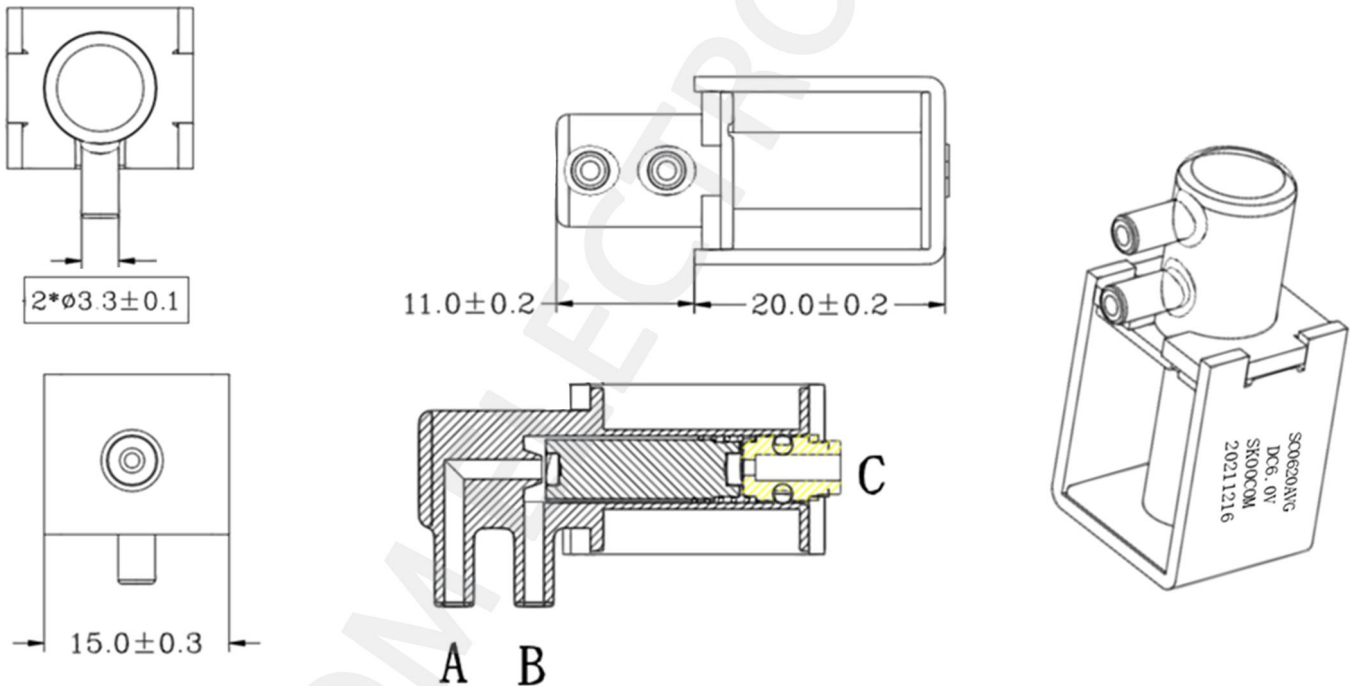
Air valve



Application

Breast Pump etc.

产品尺寸 Dimension:



产品参数 Parameter:

		Specification 产品规格			
结构	Structure	2-position 3-way			
模式	Mode	Normally opened			
额定电压	Rated voltage	DC3.7V	DC6.0V	DC12.0V	DC24.0V
额定电流	Rated current	336mA	182mA	114mA	50mA
阻抗	Resistance	11Ω±10%	33Ω±10%	105Ω±10%	480Ω±10%
最大压力	Pressure	-300mmHg			
泄气时间	Exhaust Time	30 seconds from 300mmHg reduce to -150 mmHg in a 100CC tank			
气密性	Leakage	3mmHg/min from 300mmHg at 100CC tank.			
绝缘等级	Insulation Level	A			
使用流体	Medium	Air			
寿命试验	Lifetime test	200,000 Times (12s on, 5s off)			
使用环境	Working environment	0~50 °C, 75% RH			

# 型号 Model: SC0626BVG

旧版型号: SC0626GF

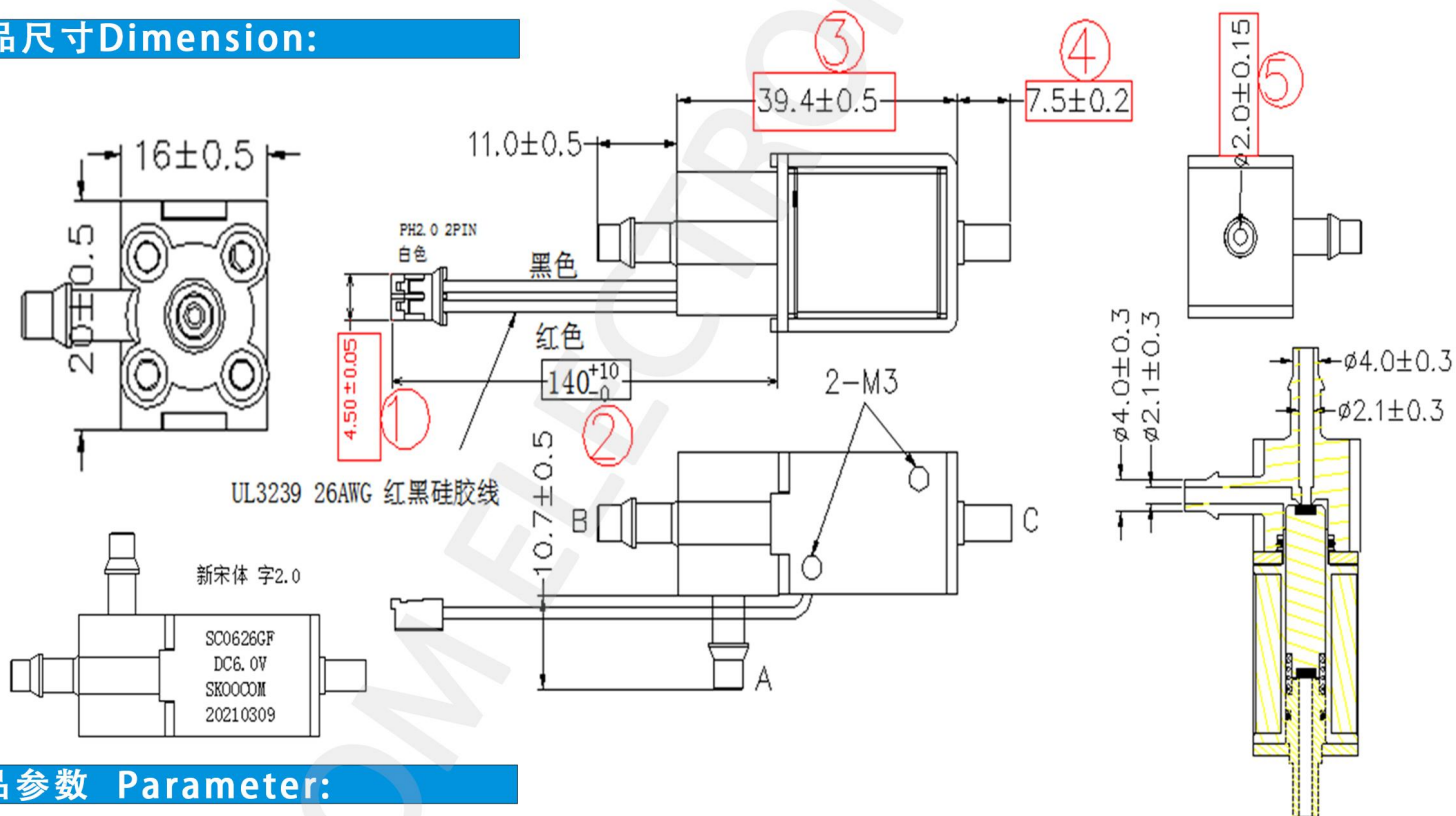
气阀

Air valve



Application: Cosmetic Instrument/Massage Machine/Oxygen Producer etc.

## 产品尺寸 Dimension:



## 产品参数 Parameter:

		Specification 产品规格			
结构	Structure	2-position 3-way			
模式	Mode	Normally closed			
额定电压	Rated voltage	DC3.0V	DC6.0V	DC12.0V	DC24.0V
额定电流	Rated current	600mA	333mA	175mA	150mA
阻抗	Resistance	5Ω ± 10%	18Ω ± 10%	68Ω ± 10%	160Ω ± 10%
最大压力	Pressure	350mmHg			
泄气时间	Exhaust Time	3.0 seconds from 300mmHg reduce to 15mmHg in 100CC tank.			
气密性	Leakage	3mmHg/min from 300mmHg at 100CC tank.			
绝缘等级	Insulation Level	A			
使用流体	Medium	Air			
寿命试验	Lifetime test	200.000 Times (12s on, 5s off)			
使用环境	Working environment	0~50 °C, 75% RH			

# 型号 Model: SC0626DVG

旧版型号: SC0626G

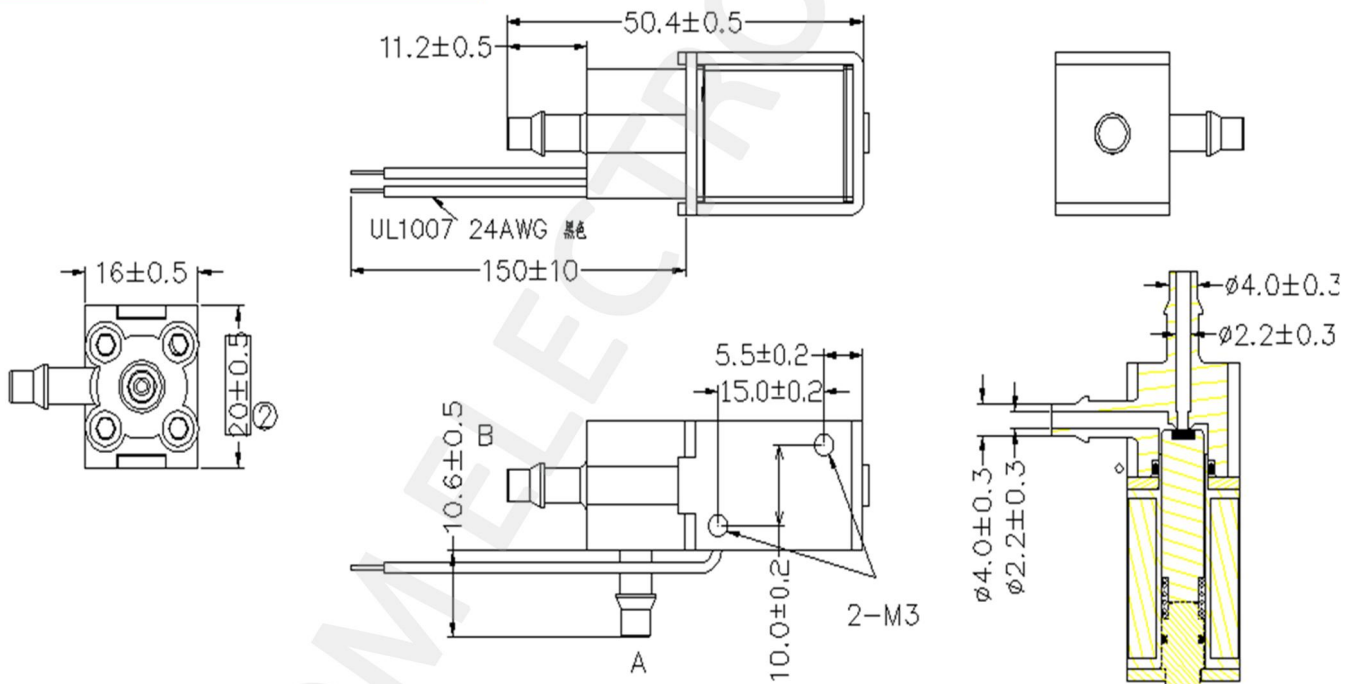
气阀

Air valve



**Application** Cosmetic Instrument/Massage Machine/  
Oxygen Producer etc.

## 产品尺寸 Dimension:



## 产品参数 Parameter:

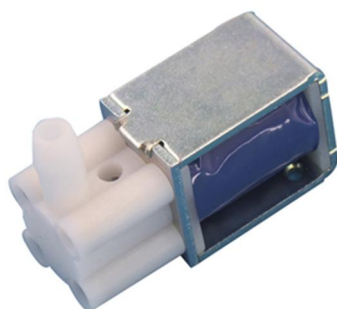
Specification 产品规格	
结构 Structure	2-way
模式 Mode	Normally closed
额定电压 Rated voltage	DC6.0V
额定电流 Rated current	353mA
阻抗 Resistance	17Ω ±10%
最大压力 Pressure	350mmHg
泄气时间 Exhaust Time	3.0 seconds from 300mmHg reduce to 15mmHg in 100CC tank.
气密性 Leakage	3mmHg/min from 300mmHg at 100CC tank.
绝缘等级 Insulation Level	A
使用流体 Medium	Air
寿命试验 Lifetime test	200.000 Times(12s on, 5s off)
使用环境 Working environment	0~50 °C, 75% RH

# 型号 Model: SC0726BVG

旧版型号: SC0726GB

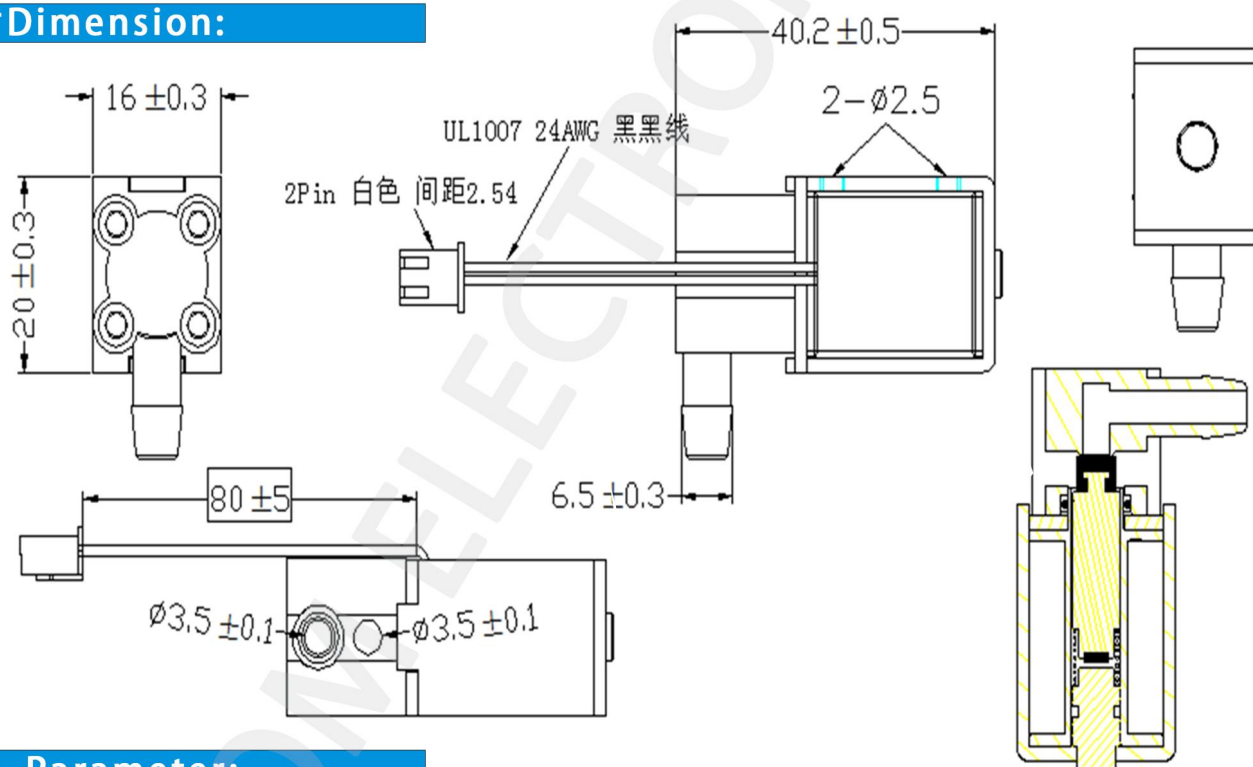
气阀

Air valve



**Application** Cosmetic Instrument/Massage Machine/  
Oxygen Producer etc.

## 产品尺寸 Dimension:



## 产品参数 Parameter:

		Specification 产品规格	
结构	Structure	2-way	
模式	Mode	Normally closed	
额定电压	Rated voltage	DC6.0V	DC12.0V
额定电流	Rated current	333mA	364mA
阻抗	Resistance	$18 \Omega \pm 10\%$	$33 \Omega \pm 10\%$
最大压力	Pressure	350mmHg	
泄气时间	Exhaust Time	3.0 seconds from 300mmHg reduce to 15mmHg in 100CC tank.	
气密性	Leakage	3mmHg/min from 300mmHg at 100CC tank.	
绝缘等级	Insulation Level	A	
使用流体	Medium	Air	
寿命试验	Lifetime test	200,000 Times (12s on, 5s off)	
使用环境	Working environment	0~50 °C, 75% RH	

# 型号 Model: SC0726CVG

旧版型号: SC0726G

气  
阀

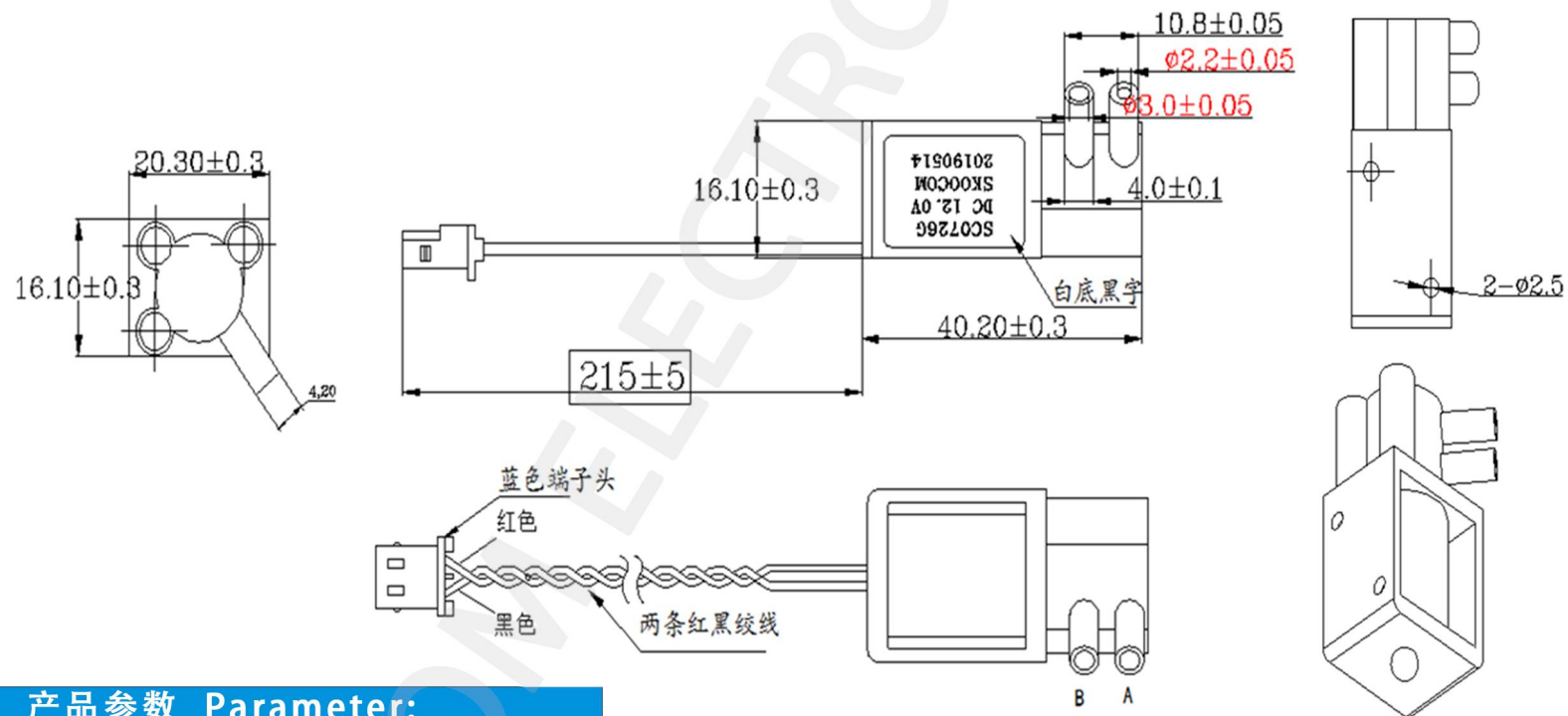
Air valve



## Application

Massager Machine etc.

## 产品尺寸 Dimension:



## 产品参数 Parameter:

Specification 产品规格				
结构	Structure	2-way		
模式	Mode	Normally closed		
额定电压	Rated voltage	DC6.0V	DC12.0V	DC24.0V
额定电流	Rated current	200mA	175mA	150mA
阻抗	Resistance	30Ω±10%	68Ω±10%	160Ω±10%
最大压力	Pressure	350mmHg		
泄气时间	Exhaust Time	3.0 seconds from 300mmHg reduce to 15mmHg in 100CC tank.		
气密性	Leakage	3mmHg/min from 300mmHg at 100CC tank.		
绝缘等级	Insulation Level	A		
使用流体	Medium	Air		
寿命试验	Lifetime test	200,000 Times		
使用环境	Working environment	0~50 °C, 75% RH		

# 型号 Model: SC0726DVG

旧版型号: SC0726GF

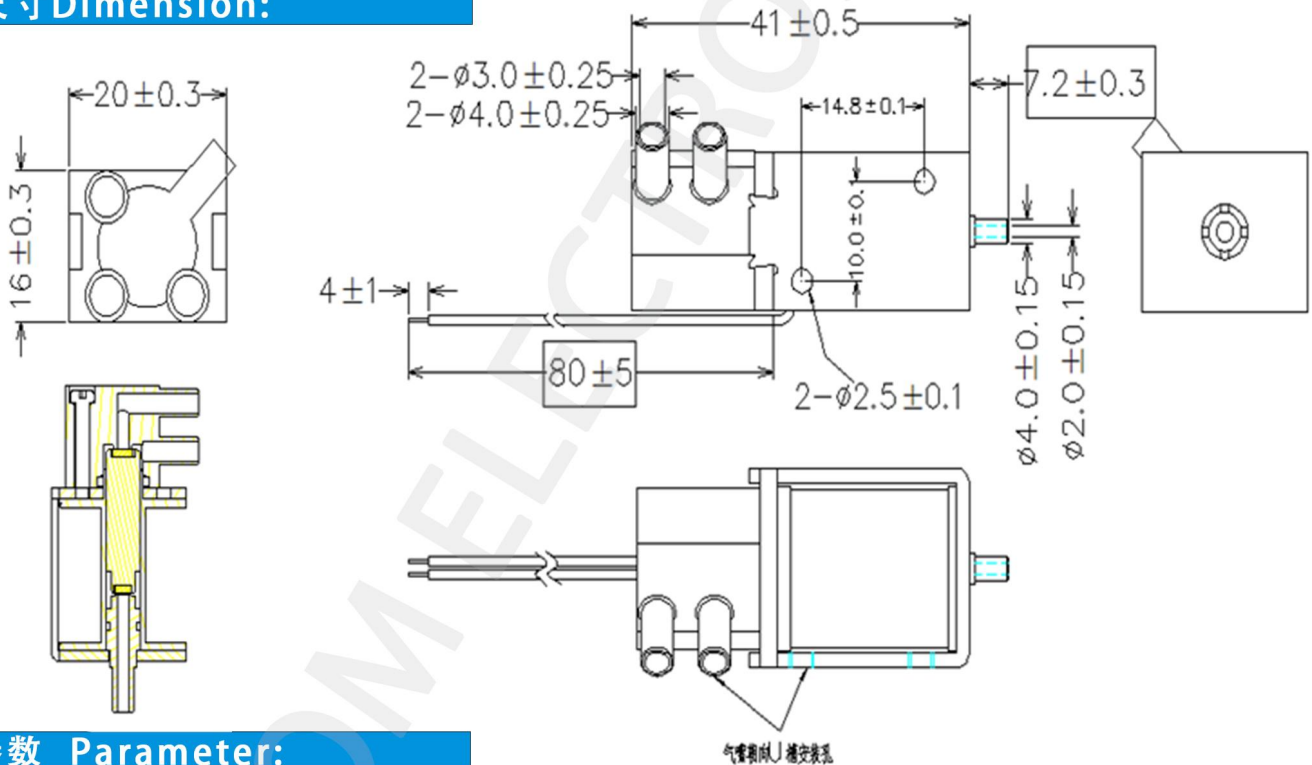


气阀

Air valve

Application Massager Machine etc.

## 产品尺寸 Dimension:



## 产品参数 Parameter:

Specification 产品规格	
结构 Structure	2-position 3-way
模式 Mode	Normally closed
额定电压 Rated voltage	DC6.0V DC12.0V
额定电流 Rated current	353mA 364mA
阻抗 Resistance	17Ω ±10% 33Ω ±10%
最大压力 Pressure	350mmHg
泄气时间 Exhaust Time	3.0 seconds from 300mmHg reduce to 15mmHg in 100CC tank.
气密性 Leakage	3mmHg/min from 300mmHg at 100CC tank.
绝缘等级 Insulation Level	A
使用流体 Medium	Air
寿命试验 Lifetime test	200,000 Times
使用环境 Working environment	0~50 °C, 75% RH

# 型号 Model: SC0730AVG

旧版型号: SC0730GB

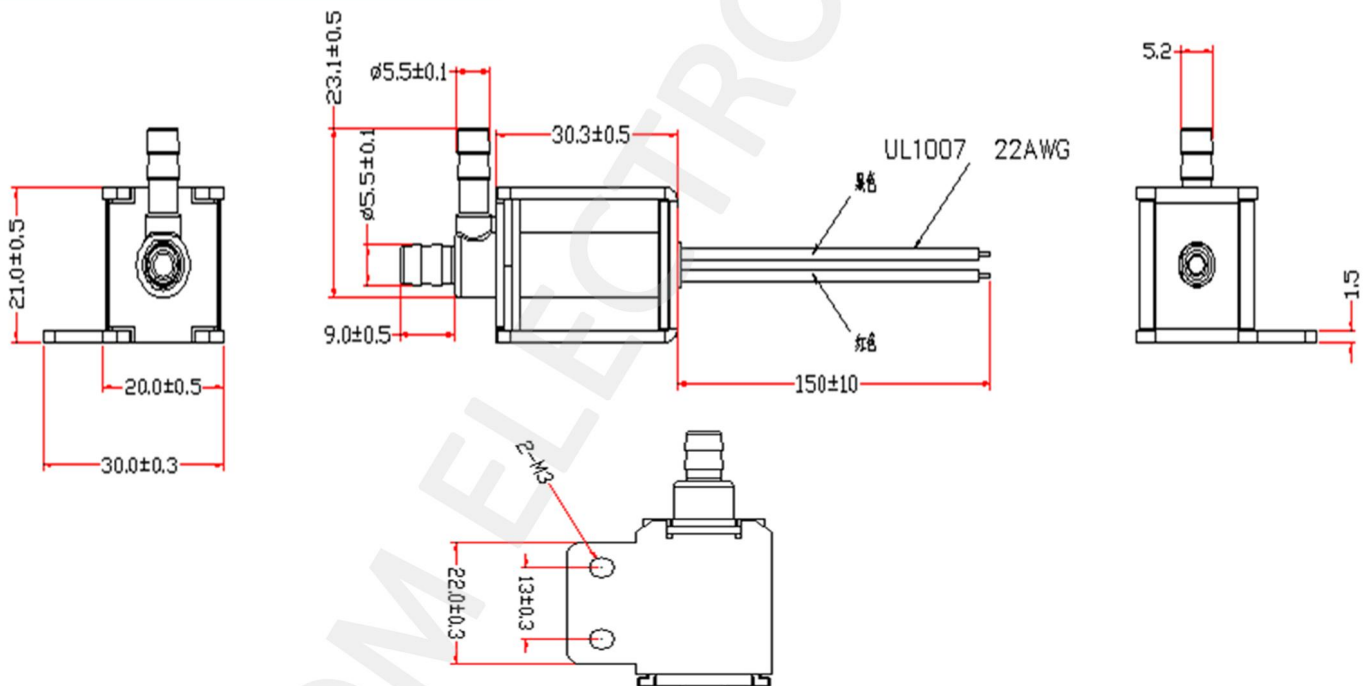


气阀

Air valve

**Application** Cosmetic Instrument/Massage Machine/Oxygen Producer etc.

## 产品尺寸 Dimension:



## 产品参数 Parameter:

Specification 产品规格	
结构 Structure	2-way
模式 Mode	Normally closed
额定电压 Rated voltage	DC12.0V
额定电压 Rated voltage	DC24.0V
额定电流 Rated current	120mA
额定电流 Rated current	120mA
阻抗 Resistance	100 Ω ± 10%
阻抗 Resistance	200 Ω ± 10%
最大压力 Pressure	350mmHg
泄气时间 Exhaust Time	3.0 seconds from 300mmHg reduce to 15mmHg in 100CC tank.
气密性 Leakage	3mmHg/min from 300mmHg at 100CC tank.
绝缘等级 Insulation Level	A
使用流体 Medium	Air
寿命试验 Lifetime test	200.000 Times (12s on, 5s off)
使用环境 Working environment	0~50 °C, 75% RH

型号 Model: SC0730BVG

旧版型号: SC0730GF

气阀

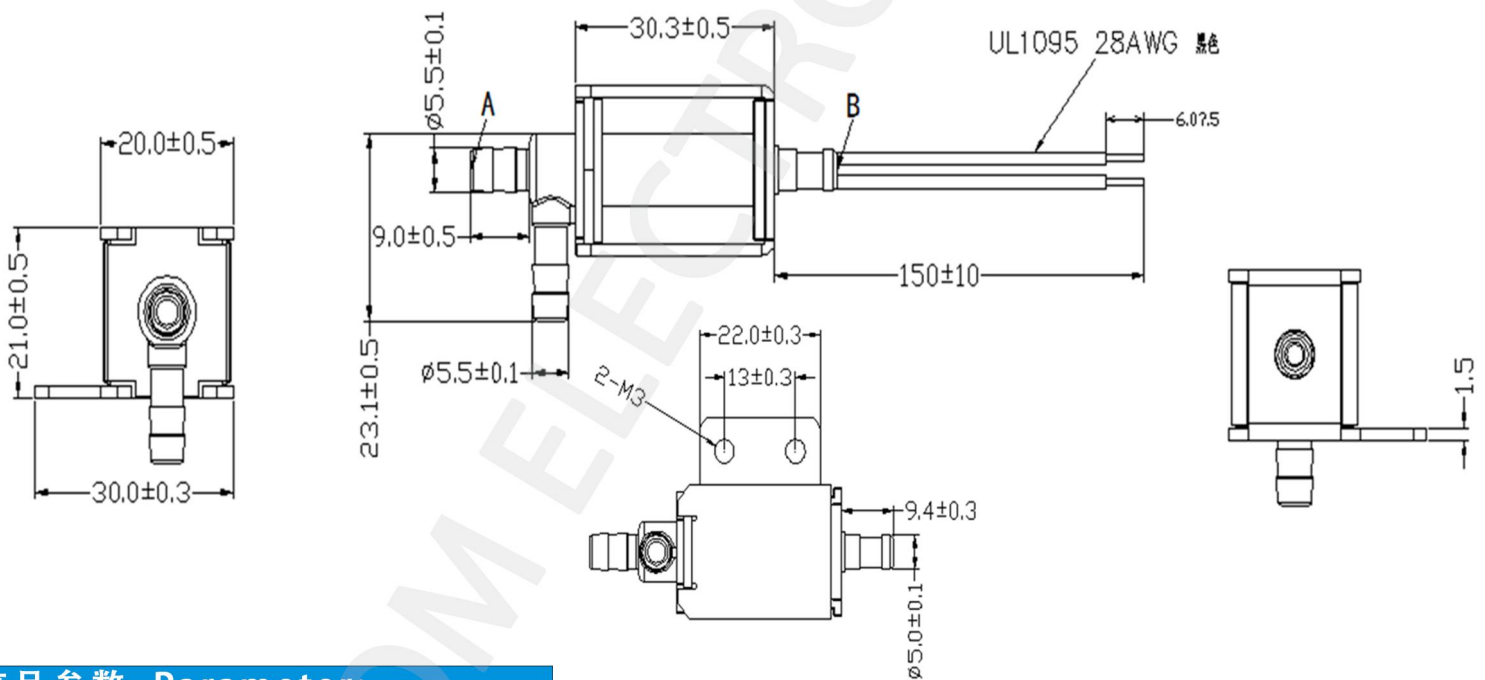
Air valve



Application

Cosmetic Instrument/  
Massage Machine etc.

产品尺寸 Dimension:



产品参数 Parameter:

		Specification 产品规格		
结构	Structure	2-position 3-way		
模式	Mode	Normally closed		
额定电压	Rated voltage	DC6.0V	DC12.0V	DC24.0V
额定电流	Rated current	600mA	300mA	160mA
阻抗	Resistance	10Ω ±10%	40Ω ±10%	150Ω ±10%
最大压力	Pressure	350mmHg		
泄气时间	Exhaust Time	3.0 seconds from 300mmHg reduce to 15mmHg in 100CC tank.		
气密性	Leakage	3mmHg/min from 300mmHg at 100CC tank.		
绝缘等级	Insulation Level	A		
使用流体	Medium	Air		
寿命试验	Lifetime test	200.000 Times (12s on, 5s off)		
使用环境	Working environment	0~50℃, 75% RH		

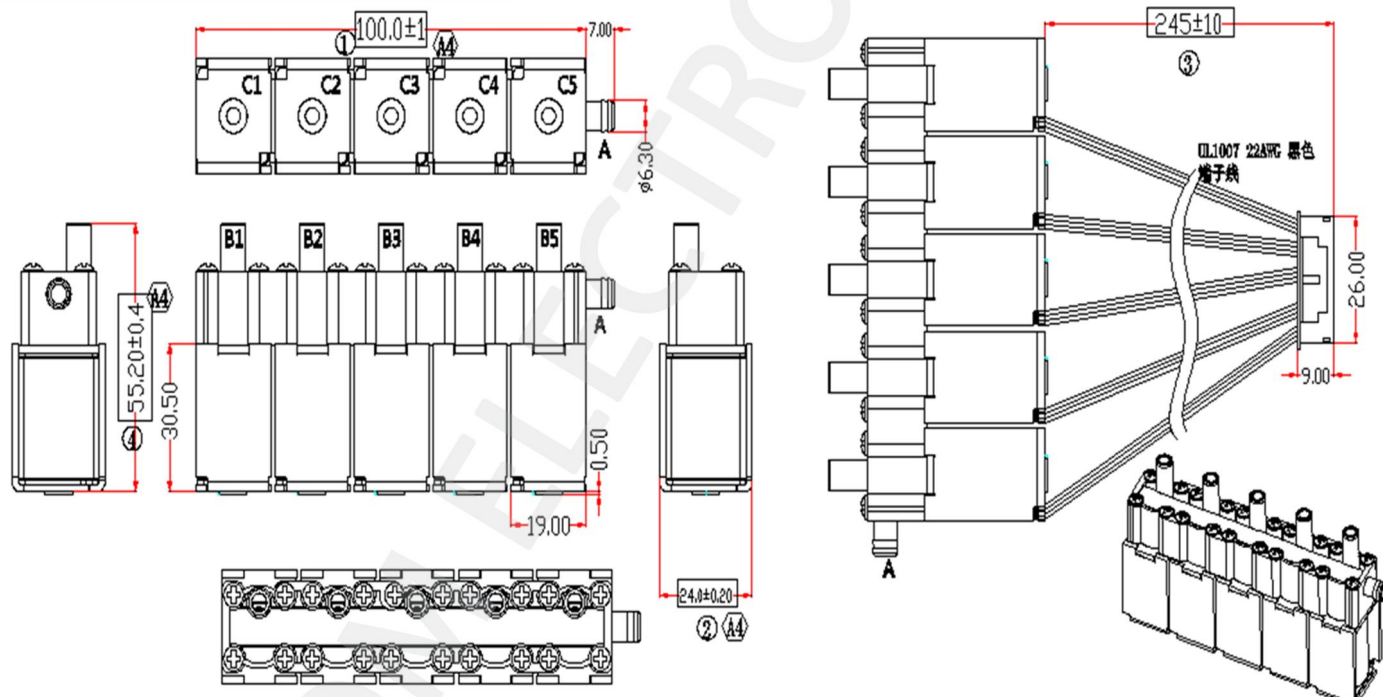
型号 Model: SC0730EVG-5

旧版型号: SC0730GV-5



Application: Cosmetic Instrument/Massage Machine etc.

产品尺寸 Dimension:



产品参数 Parameter:

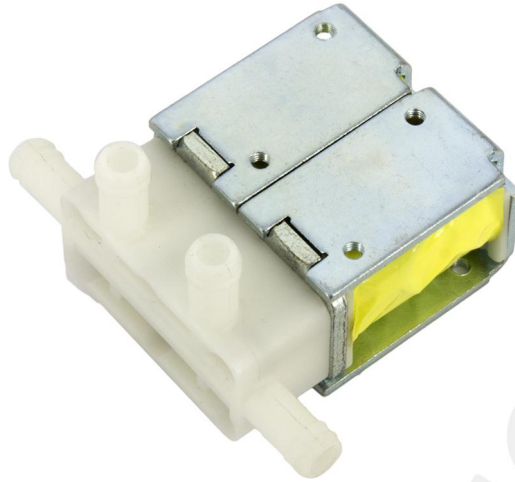
Specification 产品规格		
结构	Structure	3-way
模式	Mode	Normally closed
额定电压	Rated voltage	DC12.0V
额定电流	Rated current	240mA
阻抗	Resistance	50Ω±10%
最大压力	Pressure	350mmHg
泄气时间	Exhaust Time	3.0 seconds from 300mmHg reduce to 15mmHg in 100CC tank.
气密性	Leakage	3mmHg/min from 300mmHg at 100CC tank.
绝缘等级	Insulation Level	A
使用流体	Medium	Air
寿命试验	Lifetime test	200,000 Times
使用环境	Working environment	0~50 °C, 75% RH

# 型号 Model: SC0837AVG

旧版型号: SC0837GW

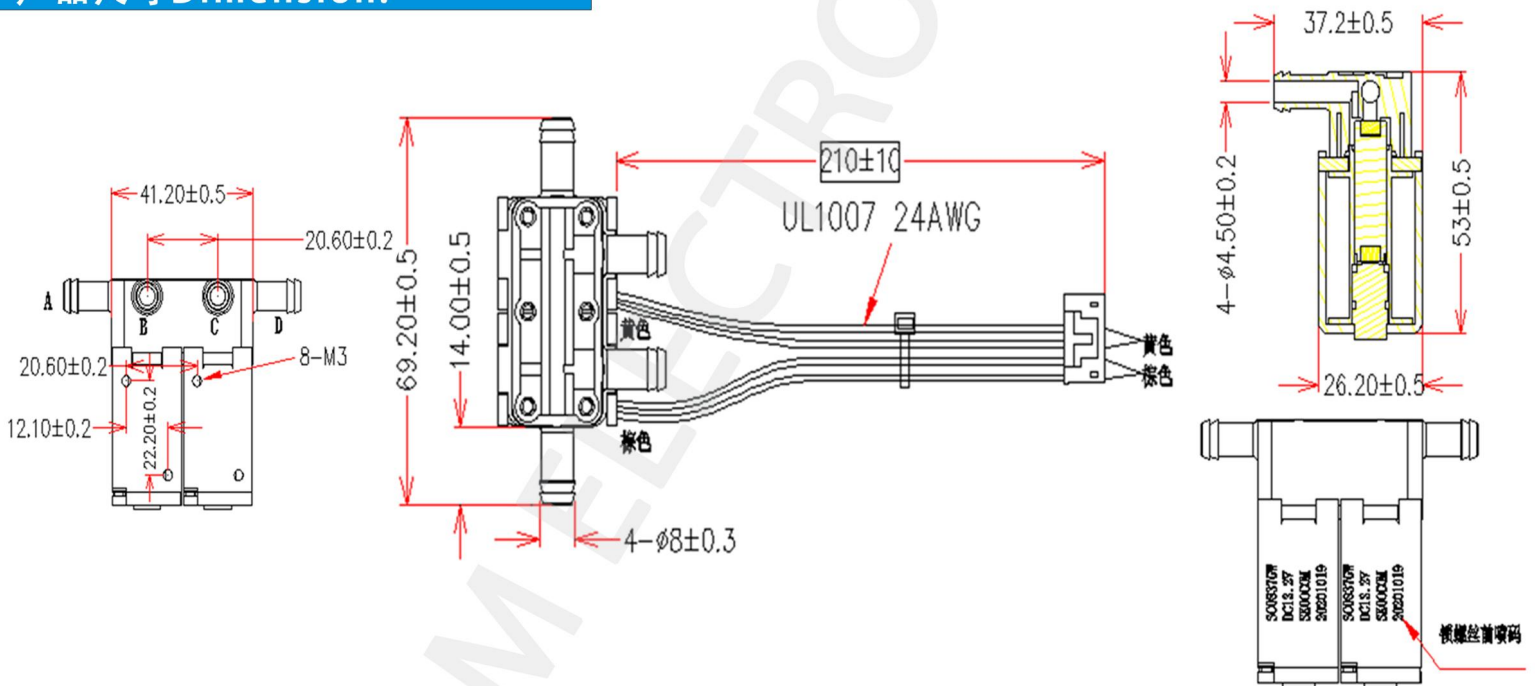
气阀

Air valve



**Application** Massage Machine/Blood Pressure Tester / Cosmetic Instrument etc.

## 产品尺寸 Dimension:



## 产品参数 Parameter:

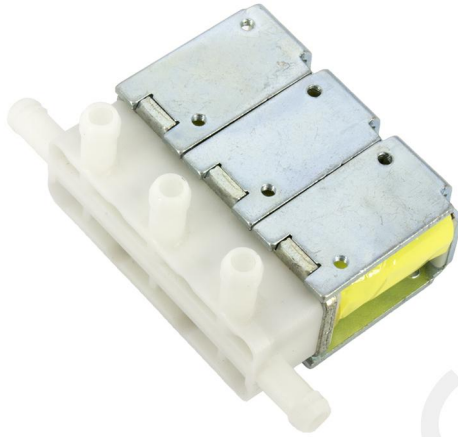
		Specification 产品规格		
结构	Structure	2-position 3-way		
模式	Mode	Normally closed		
额定电压	Rated voltage	DC12.0V	DC13.2V	DC24.0V
额定电流	Rated current	200mA	181mA	200mA
阻抗	Resistance	60 Ω ± 10%	73 Ω ± 10%	120 Ω ± 10%
最大压力	Pressure	350mmHg		
泄气时间	Exhaust Time	3.0 seconds from 300mmHg reduce to 15mmHg in 100CC tank.		
气密性	Leakage	3mmHg/min from 300mmHg at 100CC tank.		
绝缘等级	Insulation Level	A		
使用流体	Medium	Air		
寿命试验	Lifetime test	200,000 Times (12s on, 5s off)		
使用环境	Working environment	0~50 °C, 75% RH		

型号 Model: SC0837DVG

旧版型号: SC0837GK

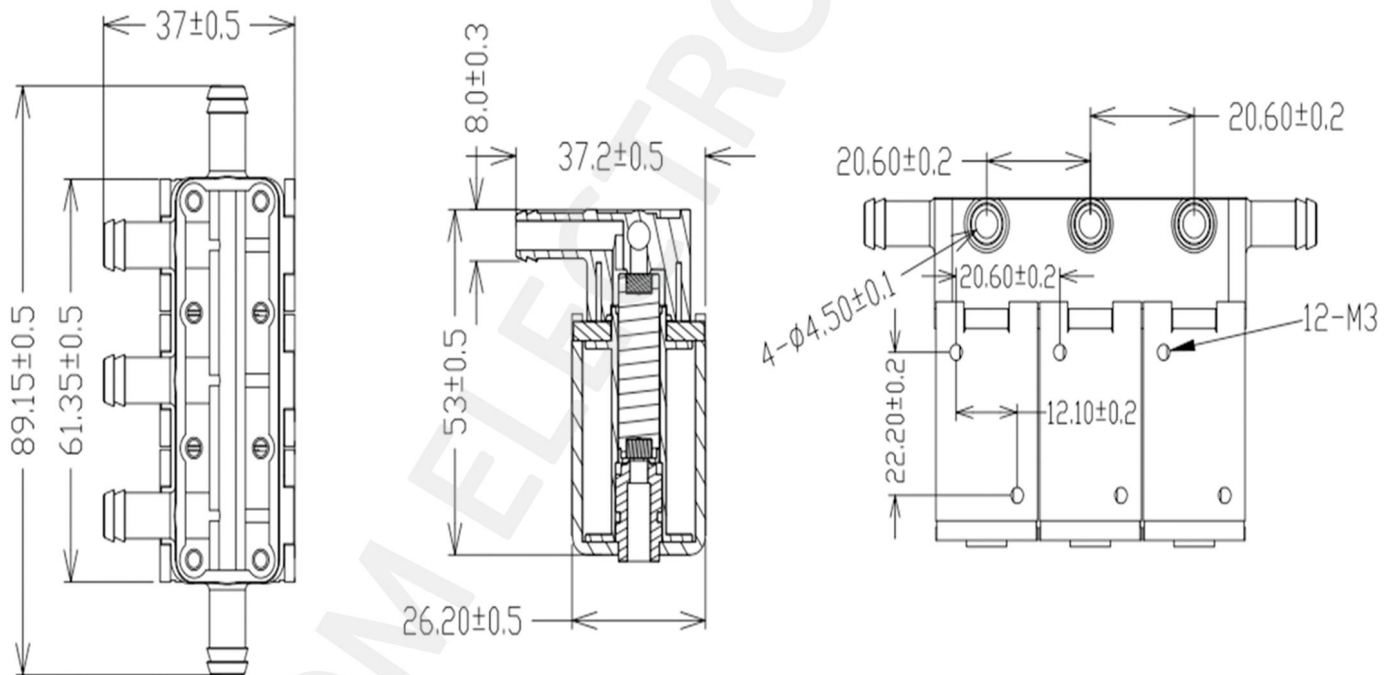
气  
阀

Air valve



Application: Cosmetic Instrument/Cosmetic Instrument/  
Physiotherapy Instrument etc.

产品尺寸 Dimension:



产品参数 Parameter:

		Specification 产品规格	
结构	Structure	2-way	
模式	Mode	Normally opened	
额定电压	Rated voltage	DC12.0V	DC24.0V
额定电流	Rated current	200mA	120mA
阻抗	Resistance	60 Ω ±10%	120 Ω ±10%
最大压力	Pressure	350mmHg	
泄气时间	Exhaust Time	3.0 seconds from 300mmHg reduce to 15mmHg in 100CC tank.	
气密性	Leakage	3mmHg/min from 300mmHg at 100CC tank.	
绝缘等级	Insulation Level	A	
使用流体	Medium	Air	
寿命试验	Lifetime test	200,000 Times	
使用环境	Working environment	0~50 °C, 75% RH	

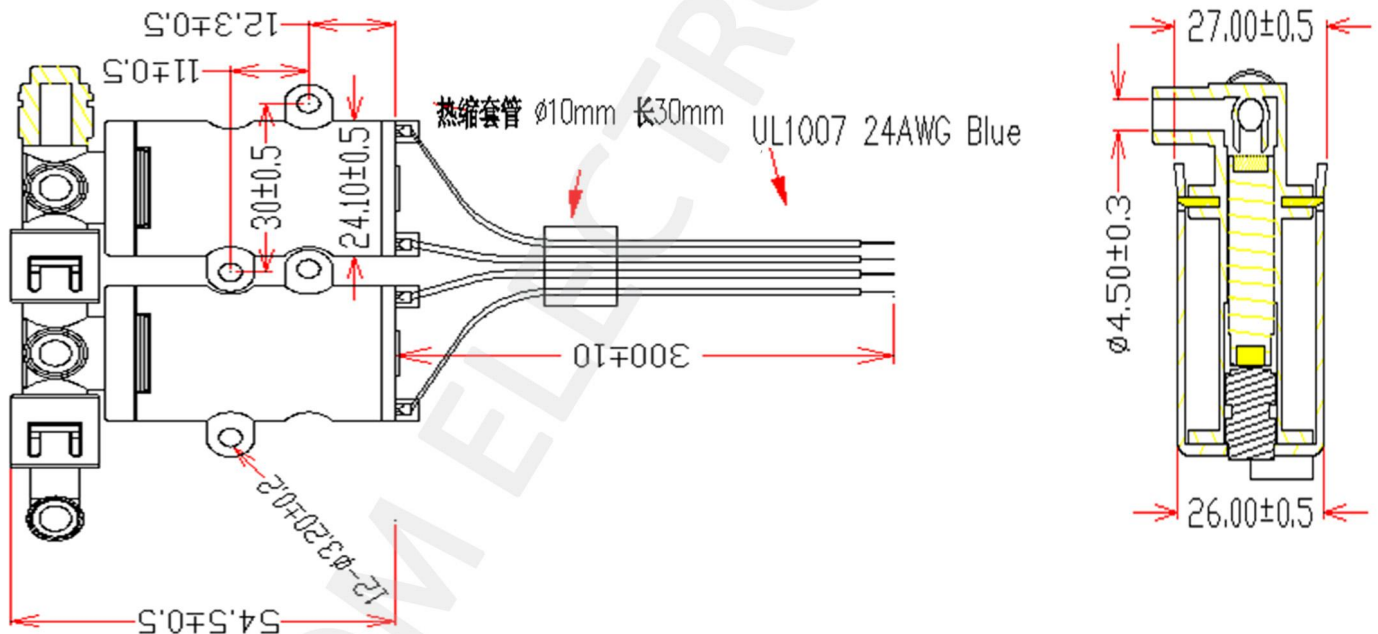
型号 Model: SC0840BVG-2

旧版型号: SC0840GB-2



Application: Cosmetic Instrument/Massage Machine/Physiotherapy Instrument etc.

产品尺寸 Dimension:



产品参数 Parameter:

Specification 产品规格	
结构 Structure	3-way
模式 Mode	Normally closed
额定电压 Rated voltage	DC24.0V
额定电流 Rated current	117mA
阻抗 Resistance	205Ω±10%
最大压力 Pressure	350mmHg
泄气时间 Exhaust Time	3.0 seconds from 300mmHg reduce to 15mmHg in 100CC tank.
气密性 Leakage	3mmHg/min from 300mmHg at 100CC tank.
绝缘等级 Insulation Level	A
使用流体 Medium	Air
寿命试验 Lifetime test	200,000 Times
使用环境 Working environment	0~50 °C, 75% RH

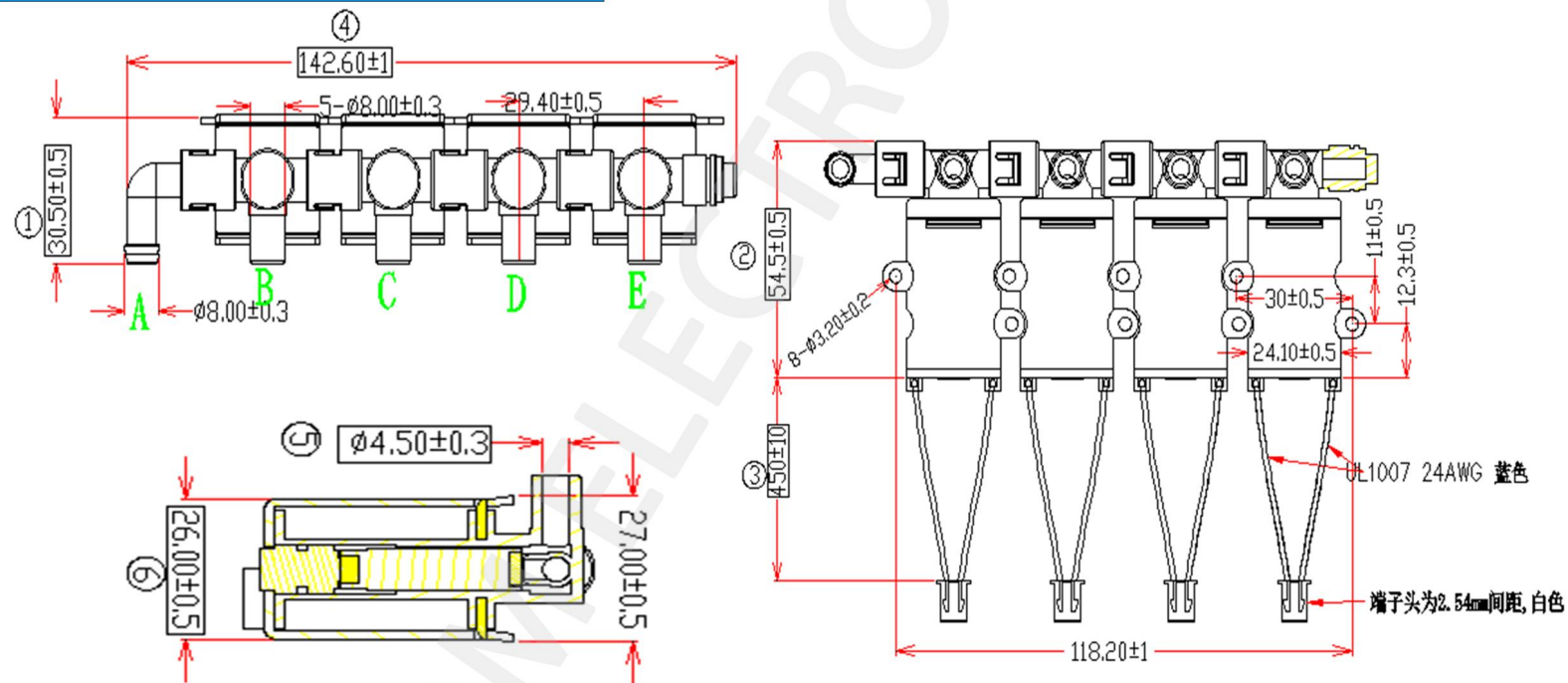
型号 Model: SC0840BVG-4

旧版型号: SC0840GB-4



Application: Cosmetic Instrument/Massage Machine/Physiotherapy Instrument etc.

产品尺寸 Dimension:

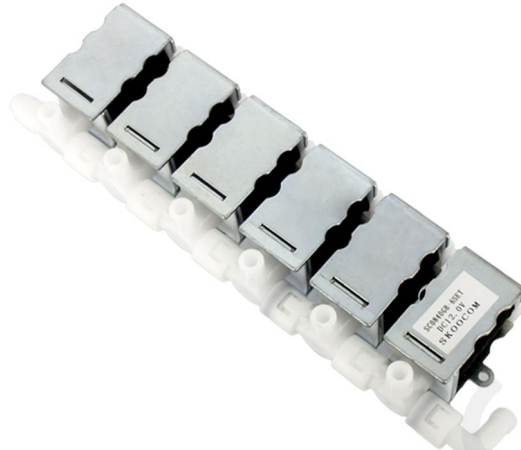


产品参数 Parameter:

Specification 产品规格		
结构	Structure	3 way x 4type
模式	Mode	Normally closed
额定电压	Rated voltage	DC12.0V
额定电流	Rated current	250mA
阻抗	Resistance	48Ω±10%
最大压力	Pressure	350mmHg
泄气时间	Exhaust Time	3.0 seconds from 300mmHg reduce to 15mmHg in 100CC tank.
气密性	Leakage	3mmHg/min from 300mmHg at 100CC tank.
绝缘等级	Insulation Level	A
使用流体	Medium	Air
寿命试验	Lifetime test	200.000 Times
使用环境	Working environment	0~50 °C, 75% RH

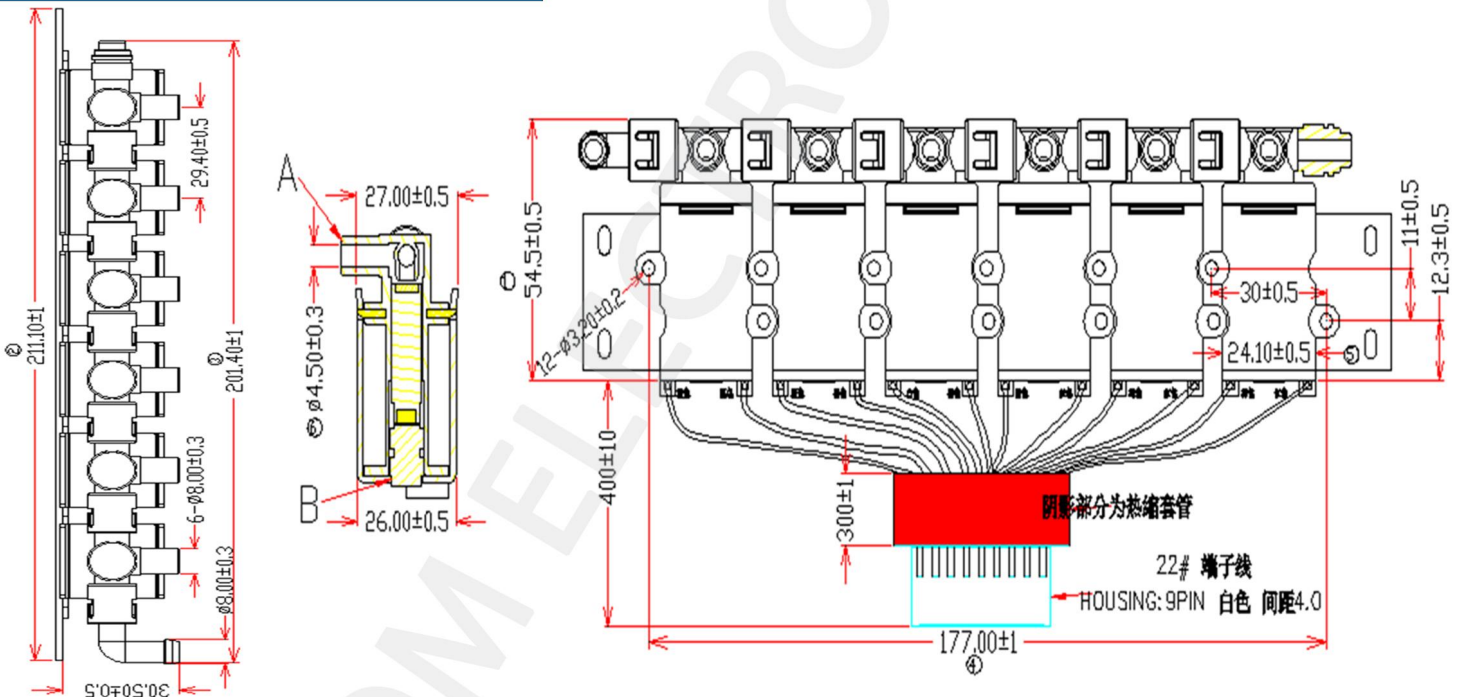
型号 Model: SC0840BVG-6

旧版型号: SC0840GB-6



Application: Cosmetic Instrument/Massage Machine/Physiotherapy Instrument etc.

产品尺寸 Dimension:

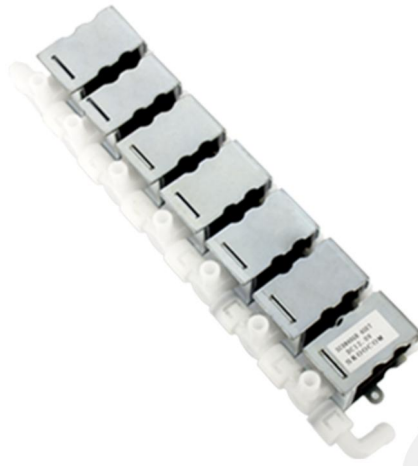


产品参数 Parameter:

		Specification 产品规格	
结构	Structure	3 way x 6 type	
模式	Mode	Normally closed	
额定电压	Rated voltage	DC12.0V	DC24.0V
额定电流	Rated current	250mA	117mA
阻抗	Resistance	48Ω ±10%	205Ω ±10%
最大压力	Pressure	350mmHg	
泄气时间	Exhaust Time	3.0 seconds from 300mmHg reduce to 15mmHg in 100CC tank.	
气密性	Leakage	3mmHg/min from 300mmHg at 100CC tank.	
绝缘等级	Insulation Level	A	
使用流体	Medium	Air	
寿命试验	Lifetime test	200.000 Times(12s on, 5s off)	
使用环境	Working environment	0~50℃, 75% RH	

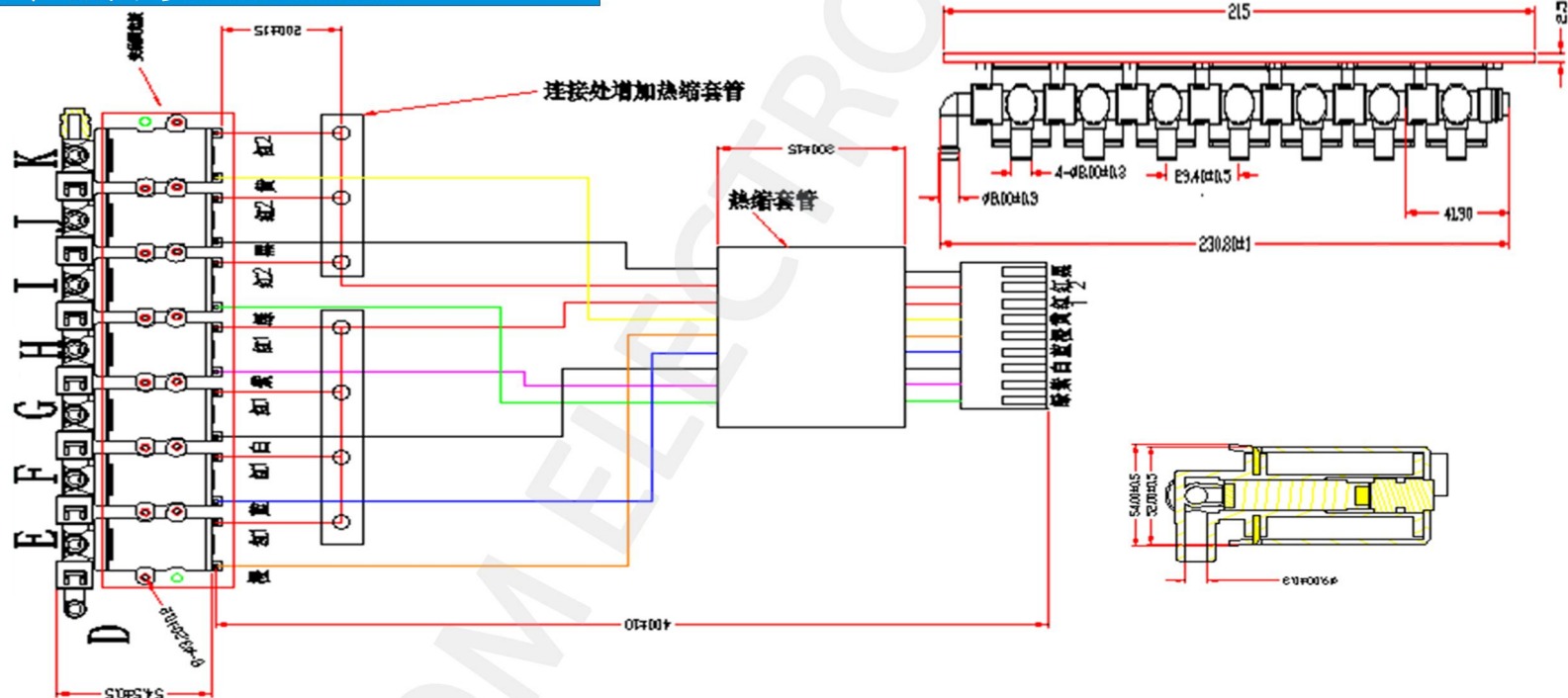
型号 Model: SC0840BVG-7

旧版型号: SC0840GB-7



Application: Cosmetic Instrument/Massage Machine/Physiotherapy Instrument etc.

产品尺寸 Dimension:



产品参数 Parameter:

Specification 产品规格		
结构	Structure	3 way x 7 type
模式	Mode	Normally closed
额定电压	Rated voltage	DC12.0V
额定电流	Rated current	250mA
阻抗	Resistance	48Ω±10%
最大压力	Pressure	350mmHg
泄气时间	Exhaust Time	3.0 seconds from 300mmHg reduce to 15mmHg in 100CC tank.
气密性	Leakage	3mmHg/min from 300mmHg at 100CC tank.
绝缘等级	Insulation Level	A
使用流体	Medium	Air
寿命试验	Lifetime test	200,000 Times
使用环境	Working environment	0~50 °C, 75% RH

型号 Model: SC0840CVG-10

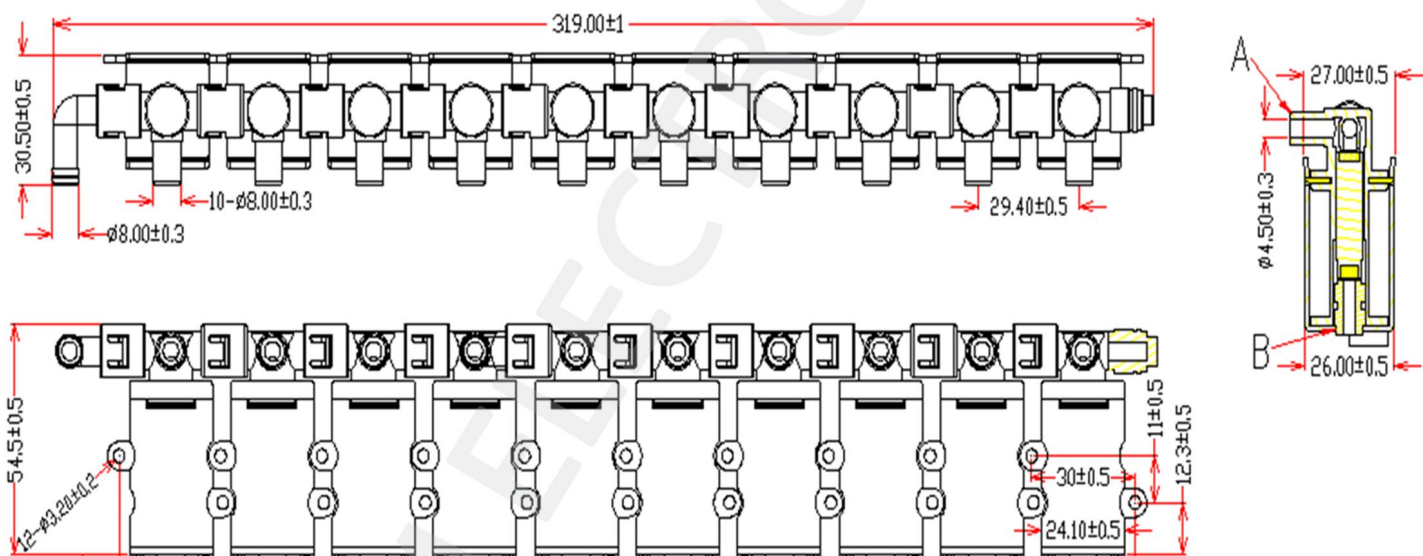
旧版型号: SC0840GK-10

气阀  
Air valve



Application: Cosmetic Instrument/Massage Machine/ Physiotherapy Instrument etc.

产品尺寸 Dimension:



产品参数 Parameter:

Specification 产品规格		
结构	Structure	3 way x 10 type
模式	Mode	Normally opened
额定电压	Rated voltage	DC12.0V
额定电流	Rated current	250mA
阻抗	Resistance	48Ω±10%
最大压力	Pressure	350mmHg
泄气时间	Exhaust Time	3.0 seconds from 300mmHg reduce to 15mmHg in 100CC tank.
气密性	Leakage	3mmHg/min from 300mmHg at 100CC tank.
绝缘等级	Insulation Level	A
使用流体	Medium	Air
寿命试验	Lifetime test	200,000 Times
使用环境	Working environment	0~50 °C, 75% RH

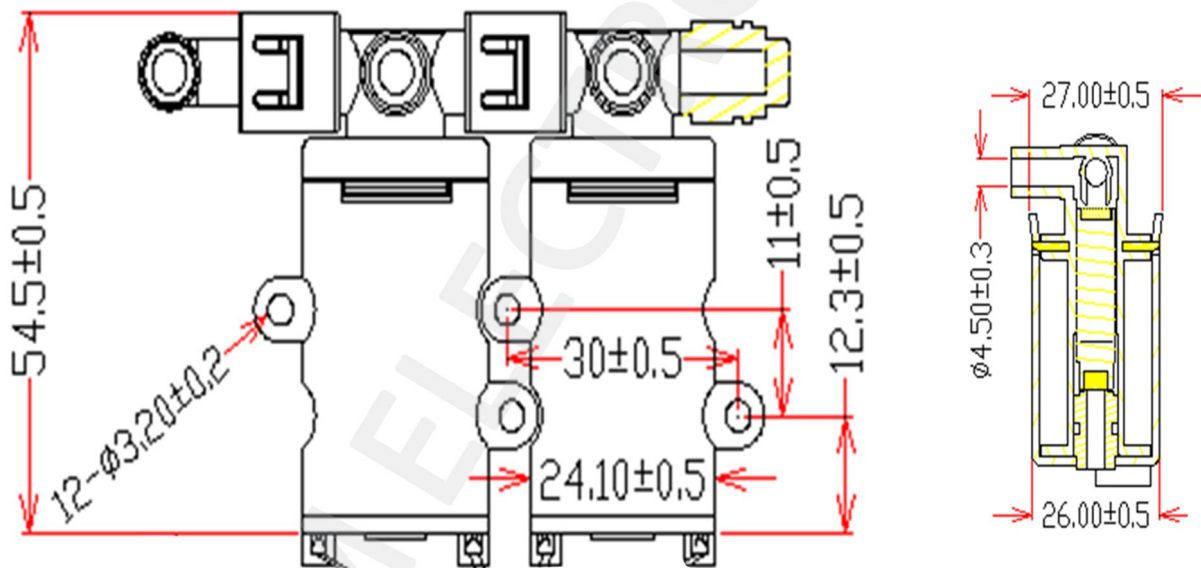
型号 Model: SC0840CVG-2

旧版型号: SC0840GK-2



Application: Cosmetic Instrument/Massage Machine/Physiotherapy Instrument etc.

产品尺寸 Dimension:



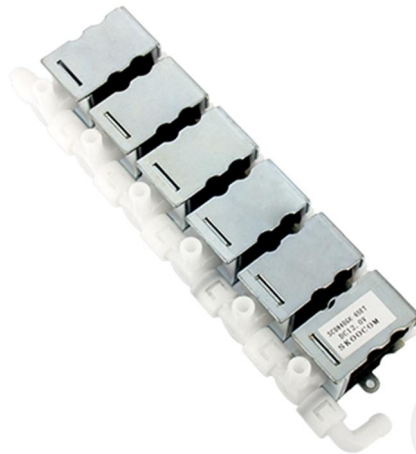
产品参数 Parameter:

Specification 产品规格		
结构	Structure	3-way
模式	Mode	Normally opened
额定电压	Rated voltage	DC12.0V
额定电流	Rated current	250mA
阻抗	Resistance	48Ω±10%
最大压力	Pressure	350mmHg
泄气时间	Exhaust Time	3.0 seconds from 300mmHg reduce to 15mmHg in 100CC tank.
气密性	Leakage	3mmHg/min from 300mmHg at 100CC tank.
绝缘等级	Insulation Level	A
使用流体	Medium	Air
寿命试验	Lifetime test	200,000 Times
使用环境	Working environment	0~50 °C, 75% RH



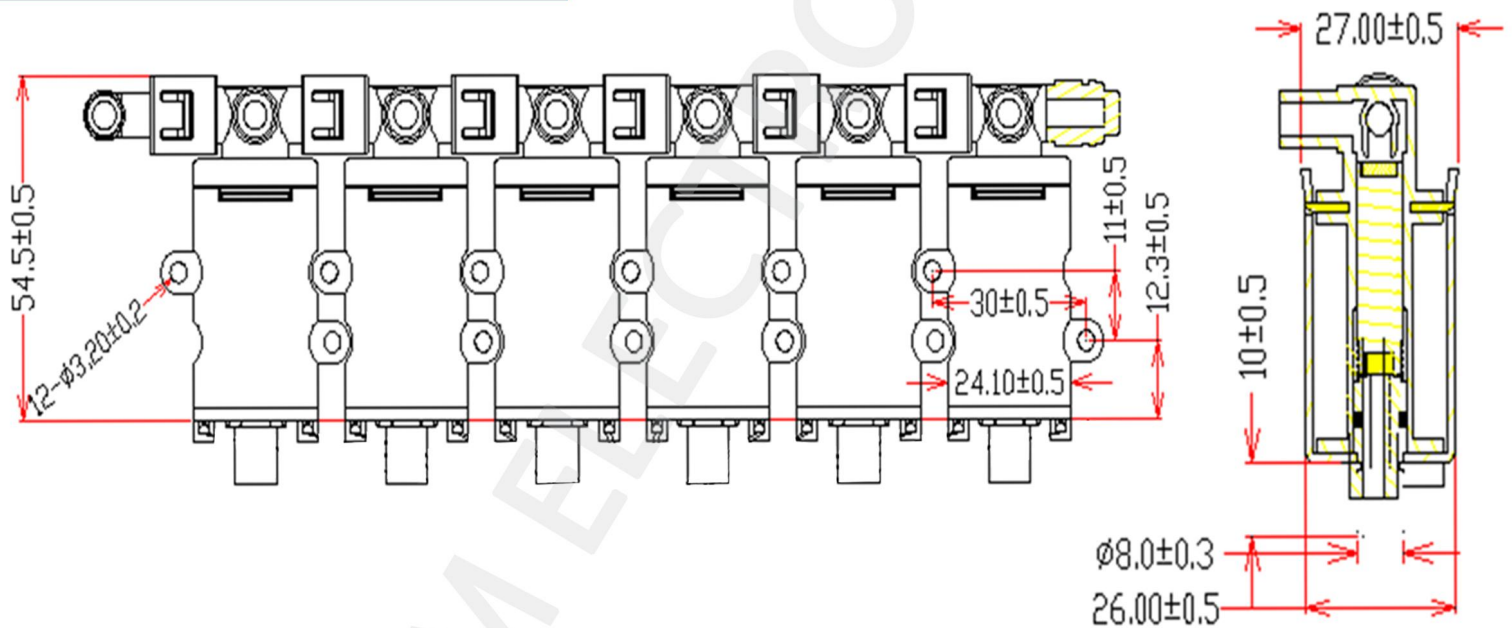
型号 Model: SC0840CVG-6

旧版型号: SC0840GK-6



Application: Cosmetic Instrument/Massage Machine/Physiotherapy Instrument etc.

产品尺寸 Dimension:



产品参数 Parameter:

		Specification 产品规格	
结构	Structure	3 way x 6 type	
模式	Mode	Normally opened	
额定电压	Rated voltage	DC12.0V	DC24.0V
额定电流	Rated current	250mA	117mA
阻抗	Resistance	48Ω ± 10%	205Ω ± 10%
最大压力	Pressure	350mmHg	
泄气时间	Exhaust Time	3.0 seconds from 300mmHg reduce to 15mmHg in 100CC tank.	
气密性	Leakage	3mmHg/min from 300mmHg at 100CC tank.	
绝缘等级	Insulation Level	A	
使用流体	Medium	Air	
寿命试验	Lifetime test	500.000 Times(5s on, 0.5s off)	
使用环境	Working environment	0~50 °C, 75% RH	

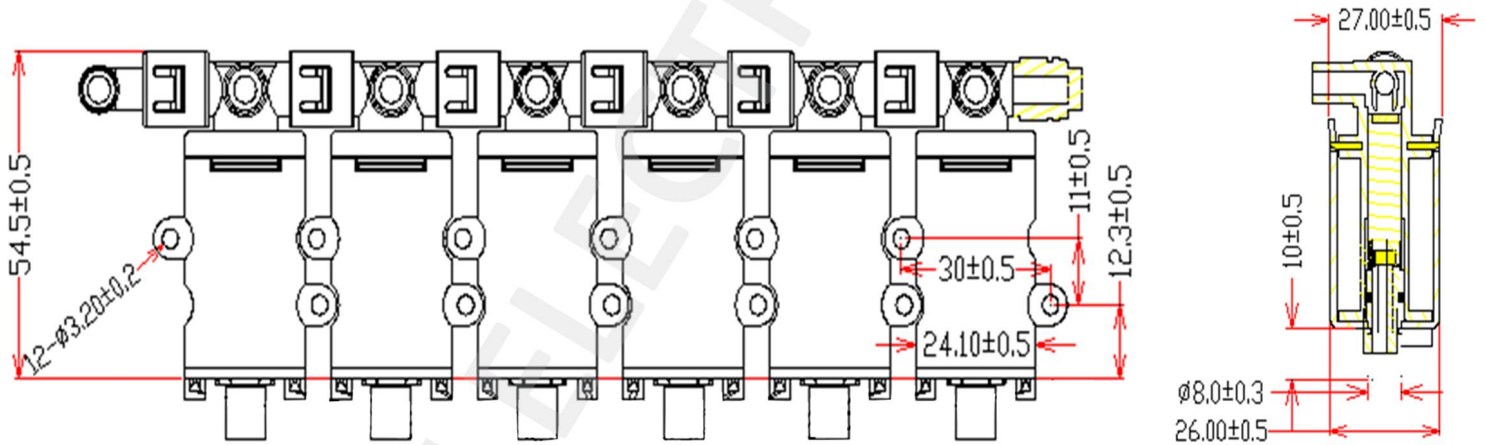
型号 Model: SC0840DVG-6

旧版型号: SC0840GL-6



Application: Cosmetic Instrument/Massage Machine/Physiotherapy Instrument etc.

产品尺寸 Dimension:



产品参数 Parameter:

Specification 产品规格		
结构	Structure	3 way x 6 type
模式	Mode	Normally opened
额定电压	Rated voltage	DC12.0V
额定电压	Rated voltage	DC24.0V
额定电流	Rated current	387mA
额定电流	Rated current	117mA
阻抗	Resistance	31Ω ±10%
阻抗	Resistance	205Ω ±10%
最大压力	Pressure	350mmHg
泄气时间	Exhaust Time	3.0 seconds from 300mmHg reduce to 15mmHg in 100CC tank.
气密性	Leakage	3mmHg/min from 300mmHg at 100CC tank.
绝缘等级	Insulation Level	A
使用流体	Medium	Air
寿命试验	Lifetime test	200.000 Times
使用环境	Working environment	0~50℃, 75% RH

型号 Model: SC0626CVG

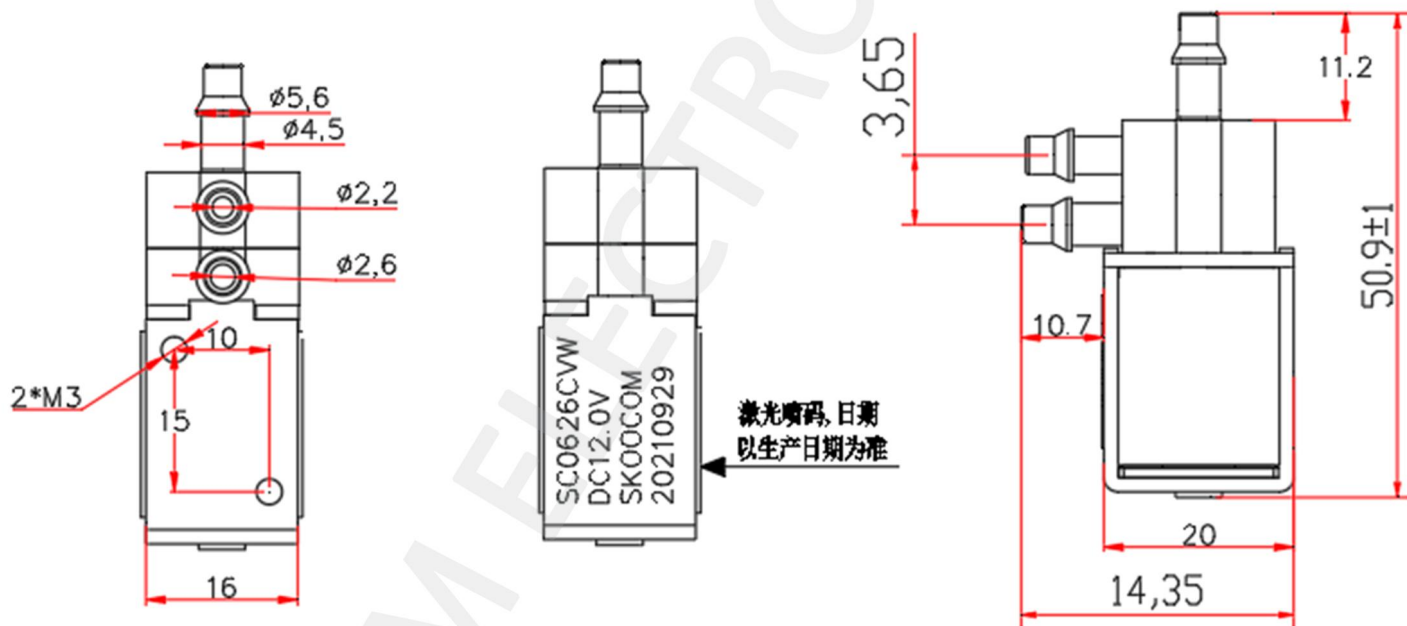
气阀  
Air valve



Application

Coffee Machine/Water Dispenser/  
Humidifier Sprayer/Sweeping Robot etc

产品尺寸 Dimension:



产品参数 Parameter:

		Specification 产品规格		
结构	Structure	2-position 3-way		
模式	Mode	Normally closed		
额定电压	Rated voltage	DC5.0V	DC12.0V	DC24.0V
额定电流	Rated current	370mA	330mA	90mA
阻 抗	Resistance	13.5Ω±10%	36Ω±10%	260Ω±10%
最大压力	Pressure	80Kpa		
流 量	Flow	Air>12L/min		
气 密 性	Leakage	Maxe 3mmHg/min from 300mmHg at 100CC tank.		
绝缘等级	Insulation Level	A		
使用流体	Medium	Air		
寿命试验	Lifetime test	200.000 Times		
使用环境	Working environment	0~50 °C, 75% RH		